

# DELABIE

Stainless Steel Sanitary Ware



## CONTACTS

### HEAD OFFICE & PRODUCTION SITE

18, rue du Maréchal Foch  
80130 Friville  
FRANCE

delabie.com

### EXPORT

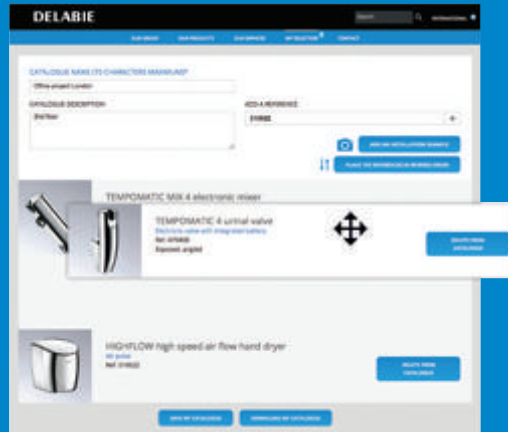
Tel. +33 (0)3 22 60 22 72  
Fax +33 (0)3 22 60 22 82  
export@delabie.fr

### QUOTES

Tel. +33 (0)3 22 60 22 72  
Fax +33 (0)3 22 60 22 82  
export.quotes@delabie.fr

### TECHNICAL SUPPORT

Tel. +33 (0)3 22 60 22 74  
Fax +33 (0)3 22 30 31 07  
sav@delabie.fr



## CREATE A PERSONALISED CATALOGUE

Create your own catalogue using your own product selection.

You can personalise it by giving it a project name and description, by choosing the order for the products to appear and by adding lifestyle images.

This catalogue will then be available in **Word, PDF and Excel** formats.

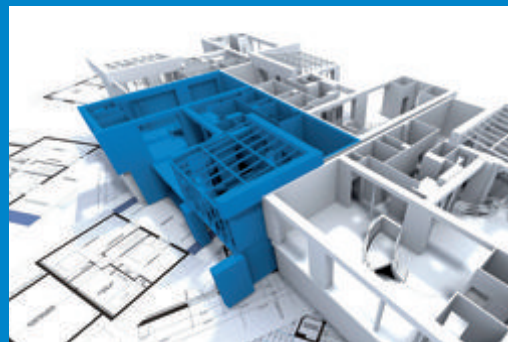


## DATASHARE: ALL THE DOCUMENTS ARE FREELY AVAILABLE

Datashare is DELABIE's platform to download files.

There is no need to sign-in.

Product files, technical descriptions, photos, line drawings, BIM and AutoCAD files, installation guides and certificates are all available online.



## BIM: DELABIE'S CORE PRODUCTS ARE NOW AVAILABLE

To meet the requirements of BIM technology, DELABIE has modelled its core products.

Available in 2 formats - REVIT and IFC, the files can be downloaded via the relevant product data sheet or via datashare.

The list of references available in BIM format is available in **Our Services - BIM Files**.



Certification  
ISO 9001: 2015  
quality management  
system

## ACS

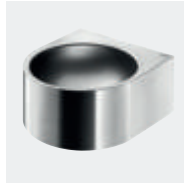
### Certificate of Sanitary Conformity.

All DELABIE products conform to the CPDW\* directive modified 29/05/1997, and the French Ministry of Health circular DGS/SD7A2002 no. 571 dated 25/11/2002.

\* Construction Products in Contact with Drinking Water (European Commission).



## SUITABLE FOR TABLETS AND SMARTPHONES



INDIVIDUAL WASHBASINS ..... 11  
 MULTIPLE WASHBASINS ..... 25  
 DRINKING FOUNTAINS ..... 30



WC PANS - WC PANS WITH CISTERNS ..... 35  
 TOILET SEATS ..... 41  
 SQUAT WC PANS ..... 42



INDIVIDUAL URINALS ..... 47  
 URINAL DIVIDERS ..... 54  
 TROUGH URINALS ..... 56



SHOWER TRAYS ..... 62



WASHBASINS ..... 66  
 WASHBASINS WITH INTEGRATED TAPS ..... 68  
 WC PANS - SQUAT WC PANS ..... 70  
 WASHBASIN AND WC COMBINATIONS ..... 72  
 URINALS ..... 76

SECURE SECTOR  
RANGE

**65**



SURGICAL SCRUB UP TROUGHS ..... 81  
 DISPOSAL SINKS ..... 84  
 PROFESSIONAL HAND WASHBASINS ..... 88  
 ACCESSIBILITY SOLUTIONS ..... 90

HOSPITAL AND  
PROFESSIONAL  
RANGE

**79**

CERTIFICATION ..... 96  
 MAINTENANCE ADVICE ..... 96  
 INSTALLATION ADVICE ..... 97  
 REFERENCE INDEX ..... 98

ADVICE  
INDEX

**95**





## THE DAYS OF SMELLY LATRINES AND REPULSIVE SANITARY FACILITIES ARE GONE!

User's needs have changed. Even if cleanliness is fundamental, comfort and aesthetics also play an important role in upholding the facility manager's or owner's image.

Stainless steel is a prestigious, high quality material, shown at its best in the design of DELABIE's sanitary ware. A toilet, hand washbasin or urinal made from DELABIE's stainless steel have become key architectural elements for sanitary facilities.





### **THE FIGHT AGAINST VOLUNTARY OR INVOLUNTARY VANDALISM**

Stainless steel is a highly resistant and durable material.

DELABIE's stainless steel sanitary ware will withstand heavy loads, abrasions, scratches and chemical products.

In areas requiring secure installations (e.g. prisons), cross wall options are ideal since the components and fixing elements cannot be accessed by the user.





## ENVIRONMENTALLY FRIENDLY

Stainless steel is 100 % recyclable, contributing to sustainable development and protecting the environment. DELABIE's stainless steel sanitary ware contains 60% recycled stainless steel.

DELABIE's stainless steel sanitary ware requires less energy to manufacture due to the use of advanced technologies (cold pressing, TIG and laser welding).

Lighter than ceramic, their transportation consumes fewer resources.









## STAINLESS STEEL, ESSENTIAL FOR HYGIENE

The aseptic qualities of stainless steel have been regularly proven. Stainless steel is bacteriostatic: bacterial retention after cleaning is extremely low, up to 20 times less than for other materials such as glass or plastic.

A thin, invisible protective layer forms continuously when in contact with air or water. If the surface is damaged mechanically, the stainless steel is protected against corrosion.

Particular attention has been paid to designing sanitary ware with limited assembly and reduced numbers of seams to avoid dirt deposits and bacterial niches, and therefore to facilitate cleaning.





# Washbasins

INSET  
COUNTERTOP  
**11**



FLOOR-STANDING  
**17**



WALL-MOUNTED  
**17**



MULTIPLE  
TROUGHES  
**25**



DRINKING  
FOUNTAINS  
**30**





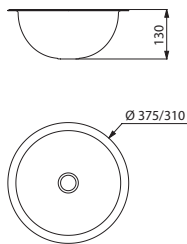
**HEMI washbasin Ø 310**

Recessed installation from above or below



- Round basin for recessed installation from above or below.
- Basin internal diameter: 310mm.
- Cut-out diameter: 330mm for installation from above, 310mm for installation from below.
- Bacteriostatic 304 stainless steel.
- Stainless steel thickness: 0.8mm.
- One-piece, seam-free pressed bowl.
- Rounded edges prevent injury.
- Supplied with 1¼" waste.
- Without overflow.
- CE marked. Complies with European standard EN 14688.
- Weight: 1.5kg.

For taps see the DELABIE catalogue "Water Controls for Public and Commercial Places" (DOC 609INT).



120470/120471

**HEMI Ø 310mm washbasin for recessed installation from above or below**

Polished satin 304 stainless steel		<b>120470</b>
Bright polished 304 stainless steel		<b>120471</b>

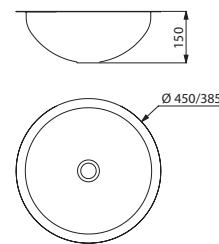
**HEMI washbasin Ø 385**

Recessed installation from above or below



- Round basin for recessed installation from above or below.
- Basin internal diameter: 385mm.
- Cut-out diameter: 400mm for installation from above, 380mm for installation from below.
- Bacteriostatic 304 stainless steel.
- Stainless steel thickness: 0.8mm.
- One-piece, seam-free pressed bowl.
- Rounded edges prevent injury.
- Supplied with 1¼" waste.
- Without overflow.
- CE marked. Complies with European standard EN 14688.
- Weight: 1.6kg.

For taps see the DELABIE catalogue "Water Controls for Public and Commercial Places" (DOC 609INT).



120490/120491

**HEMI Ø 385mm washbasin for recessed installation from above or below**

Polished satin 304 stainless steel		<b>120490</b>
Bright polished 304 stainless steel		<b>120491</b>

: dispatch within 4 weeks : stock item



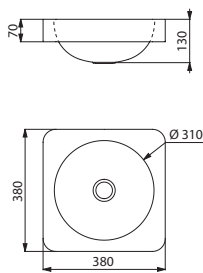
**QUADRA washbasin**

Semi-recessed countertop



- Semi-recessed washbasin, 380 × 380mm.
- Suitable for use with wall-mounted or extended mixer/tap.
- Basin internal diameter: 310mm.
- Cut-out diameter: 310mm.
- Bacteriostatic 304 stainless steel.
- Stainless steel thickness: 1.2mm.
- Dual finish is available: bright polished basin interior and polished satin exterior.
- One-piece, seam-free pressed bowl.
- Rounded edges prevent injury.
- Supplied with 1¼" waste.
- Without overflow.
- CE marked. Complies with European standard EN 14688.
- Weight: 3kg.

For taps see the DELABIE catalogue "Water Controls for Public and Commercial Places" (DOC 609INT).



120650/120652

**Semi-recessed QUADRA washbasin**

Polished satin 304 stainless steel		<b>120650</b>
Dual finish 304 stainless steel		<b>120652</b>

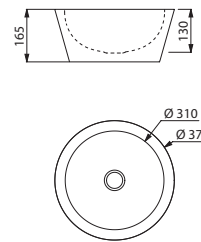
**ALGUI washbasin**

Countertop



- Countertop washbasin, Ø 375mm.
- Suitable for use with wall-mounted or extended mixer/tap.
- Basin internal diameter: 310mm.
- Bacteriostatic 304 stainless steel.
- Stainless steel thickness: 1.2mm.
- Dual finish is available: bright polished basin interior and polished satin exterior.
- One-piece, seam-free pressed bowl.
- Rounded edges prevent injury.
- Supplied with 1¼" waste.
- Without overflow.
- CE marked. Complies with European standard EN 14688.
- Weight: 3.8kg.

For taps see the DELABIE catalogue "Water Controls for Public and Commercial Places" (DOC 609INT).



120110/120112

**ALGUI countertop washbasin**

Polished satin 304 stainless steel		<b>120110</b>
Dual finish 304 stainless steel		<b>120112</b>

: dispatch within 4 weeks : stock item



UNO countertop washbasin **121820** - TEMPOMIX 3 time flow basin mixer **794000**  
TEMPOMIX 3 time flow shower kit **794BOX1 + 794219** - Robe hook **301**



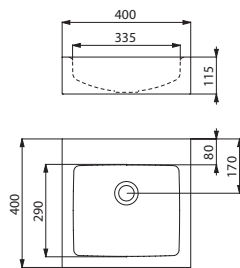
**UNITO washbasin**

Countertop



- Countertop washbasin, 400 × 400mm.
- Suitable for use with wall-mounted or extended mixer/tap.
- Bacteriostatic 304 stainless steel.
- Stainless steel thickness: 1.2mm.
- Rounded edges prevent injury.
- Supplied with 1¼" waste.
- Without overflow.
- CE marked. Complies with European standard EN 14688.
- Weight: 5.5kg.

For taps see the DELABIE catalogue "Water Controls for Public and Commercial Places" (DOC 609INT).



120810

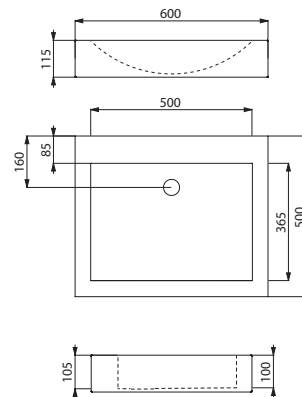
**UNO washbasin**

Countertop



- Countertop washbasin, 600 × 500mm.
- Simple and timeless design.
- Suitable for use with wall-mounted or extended mixer/tap.
- Bacteriostatic 304 stainless steel.
- Stainless steel thickness: 1.5mm.
- Rounded edges prevent injury.
- Supplied with 1¼" waste.
- Without overflow.
- CE marked. Complies with European standard EN 14688.
- Weight: 9kg.

For taps see the DELABIE catalogue "Water Controls for Public and Commercial Places" (DOC 609INT).



120820

<b>UNITO countertop washbasin</b>		<b>120810</b>
Polished satin 304 stainless steel - Without tap hole		

<b>UNO countertop washbasin - Polished satin 304 stainless steel</b>		
Without tap hole		<b>120820</b>
With central tap hole Ø 35mm		<b>121820</b>

: dispatch within 4 weeks : stock item



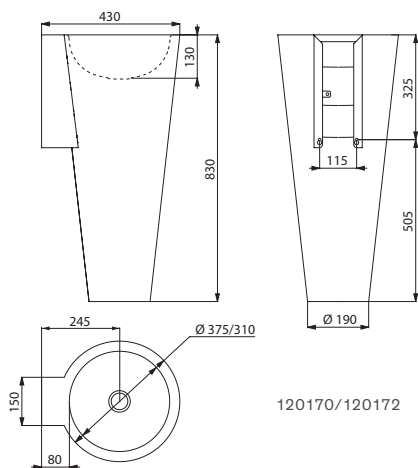
BAILA floor-standing washbasin **120172** - BINOPTIC electronic tap **379DER**  
Electronic liquid soap or foam dispenser **512111P** - Combi paper towel dispenser/bin **510715S**

**BAILA washbasin**  
Floor-standing



- Floor-standing washbasin, height 830mm. Basin internal diameter: 310mm.
- Design-led styling.
- Bacteriostatic 304 stainless steel. Stainless steel thickness: 0.8mm.
- Dual finish is available: bright polished basin interior and polished satin exterior.
- Rounded edges prevent injury.
- Supplied with 1¼" waste. Without overflow. Supplied with fixing elements.
- CE marked. Complies with European standard EN 14688.
- Weight: 12kg.

For taps see the DELABIE catalogue "Water Controls for Public and Commercial Places" (DOC 609INT).



120170/120172

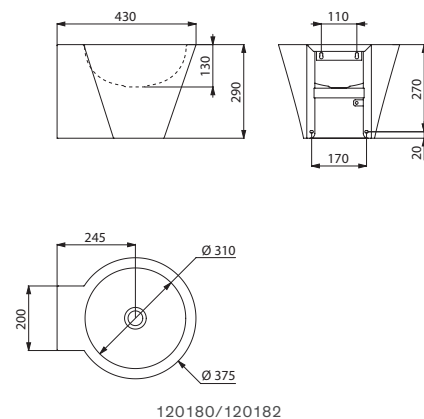
Floor-standing BAILA washbasin without tap hole		
Polished satin 304 stainless steel		120170
Dual finish 304 stainless steel		120172
Floor-standing BAILA washbasin with central tap hole Ø 35mm		
Polished satin 304 stainless steel		121170

**MINI BAILA washbasin**  
Wall-mounted



- Wall-mounted washbasin.
- Basin internal diameter: 310mm.
- Design-led styling.
- Bacteriostatic 304 stainless steel.
- Stainless steel thickness: 1mm.
- Dual finish is available: bright polished basin interior and polished satin exterior.
- Rounded edges prevent injury.
- Supplied with 1¼" waste. Without overflow. Supplied with fixing elements.
- CE marked. Complies with European standard EN 14688.
- Weight: 4.1kg.

For taps see the DELABIE catalogue "Water Controls for Public and Commercial Places" (DOC 609INT).



120180/120182

Wall-mounted MINI BAILA washbasin without tap hole		
Polished satin 304 stainless steel		120180
Dual finish 304 stainless steel		120182
Wall-mounted MINI BAILA washbasin with central tap hole Ø 35mm		
Polished satin 304 stainless steel		121180

: dispatch within 4 weeks : stock item

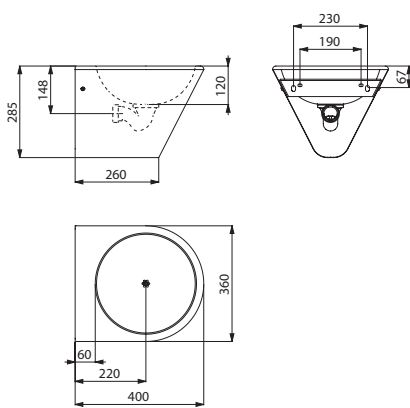
**BOB hand washbasin**

Wall-mounted with concealed drainage



- Wall-mounted hand washbasin.
- Basin internal diameter: 310mm.
- Clean and simple design.
- Bacteriostatic 304 stainless steel.
- Stainless steel thickness: 1.2mm.
- Rounded edges prevent injury.
- Vandal-resistant: shrouded basin, concealed trap.
- Quick and easy to install from the front thanks to a stainless steel mounting frame.
- Supplied with 1½" waste and trap.
- Without overflow.
- Supplied with fixing elements.
- CE marked. Complies with European standard EN 14688.
- Weight: 5.5kg.

For taps see the DELABIE catalogue "Water Controls for Public and Commercial Places" (DOC 609INT).



120130

**Wall-mounted BOB hand washbasin - Polished satin 304 stainless steel**

Without tap hole		<b>120130</b>
With right tap hole Ø 35mm		<b>121130</b>

 : dispatch within 4 weeks  : stock item

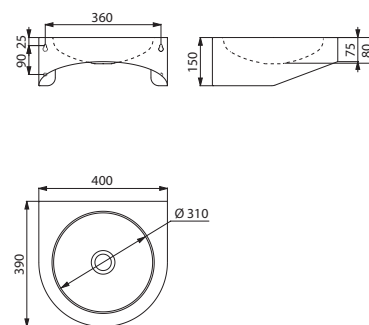
**PMR XS hand washbasin**

Wall-mounted for people with reduced mobility




- Wall-mounted hand washbasin.
- Basin internal diameter: 310mm.
- Bacteriostatic 304 stainless steel.
- Stainless steel thickness: 1.2mm.
- Rounded edges prevent injury.
- Supplied with 1½" waste.
- Without overflow.
- Supplied with fixing elements.
- CE marked. Complies with European standard EN 14688.
- Weight: 3.9kg.

For taps see the DELABIE catalogue "Water Controls for Public and Commercial Places" (DOC 609INT).



120400

**Wall-mounted PMR XS hand washbasin Polished satin 304 stainless steel - Without tap hole**

	<b>120400</b>
---	---------------

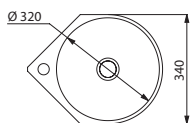
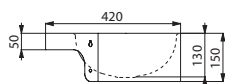
**MINIMAL hand washbasin**

Wall-mounted corner basin



- Wall-mounted hand washbasin for installation in corners (walls at 90°).
- Basin internal diameter: 320mm.
- Clean and simple design.
- Bacteriostatic 304 stainless steel.
- Stainless steel thickness: 1.2mm.
- Rounded edges prevent injury.
- Supplied with 1¼" waste.
- Without overflow.
- Supplied with fixing elements.
- CE marked. Complies with European standard EN 14688.
- Weight: 4kg.

For taps see the DELABIE catalogue "Water Controls for Public and Commercial Places" (DOC 609INT).



121550

**Wall-mounted MINIMAL hand washbasin with central tap hole Ø 35mm**

Polished satin 304 stainless steel  **121550**

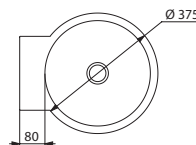
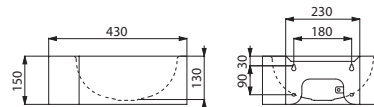
**REDO hand washbasin**

Wall-mounted



- Wall-mounted hand washbasin.
- Basin internal diameter: 320mm.
- Clean and simple design.
- Bacteriostatic 304 stainless steel.
- Stainless steel thickness: 1.2mm.
- Rounded edges prevent injury.
- Supplied with 1¼" waste.
- Without overflow.
- Supplied with fixing elements.
- CE marked. Complies with European standard EN 14688.
- Weight: 3kg.

For taps see the DELABIE catalogue "Water Controls for Public and Commercial Places" (DOC 609INT).



120710

**Wall-mounted REDO hand washbasin without tap hole**

Polished satin 304 stainless steel  **120710**

**Wall-mounted REDO hand washbasin with central tap hole Ø 35mm**

Polished satin 304 stainless steel  **121710**

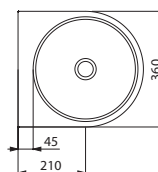
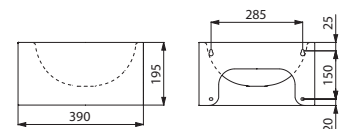
**FACIL hand washbasin**

Wall-mounted




- Wall-mounted hand washbasin, 360 × 390mm.
- Basin internal diameter: 320mm.
- Clean and simple design.
- Bacteriostatic 304 stainless steel.
- Stainless steel thickness: 1.2mm.
- Rounded edges prevent injury.
- Supplied with 1¼" waste.
- Without overflow.
- Supplied with fixing elements.
- CE marked. Complies with European standard EN 14688.
- Weight: 4.1kg.

For taps see the DELABIE catalogue "Water Controls for Public and Commercial Places" (DOC 609INT).



120800

**Wall-mounted FACIL hand washbasin without tap hole**

Polished satin 304 stainless steel  **120800**

**Wall-mounted FACIL hand washbasin with right tap hole Ø 35mm**

Polished satin 304 stainless steel  **121800**

 : dispatch within 4 weeks  : stock item

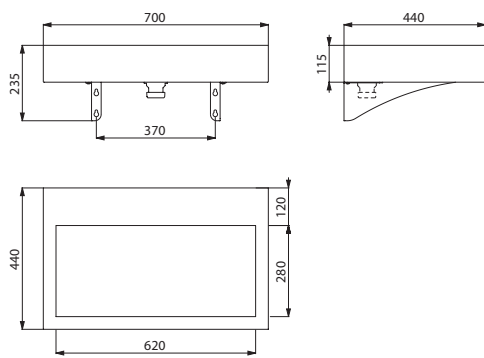
**AQUEDUTO washbasin**

Wall-mounted with concealed waste outlet



- Wall-mounted washbasin, 700 × 440mm.
- Simple and timeless design.
- Bacteriostatic 304 stainless steel.
- Stainless steel thickness: 1.5mm.
- Rounded edges prevent injury.
- Supplied with 1¼" waste.
- Without overflow.
- Supplied with brackets and fixing elements.
- CE marked. Complies with European standard EN 14688.
- Weight: 12kg.

For taps see the DELABIE catalogue "Water Controls for Public and Commercial Places" (DOC 609INT).



120150

Wall-mounted AQUEDUTO washbasin - Polished satin 304 stainless steel		
Without tap hole		120150
With central tap hole Ø 35mm		121150

Available on request: other lengths (600mm - 1,800mm)

: dispatch within 4 weeks : stock item

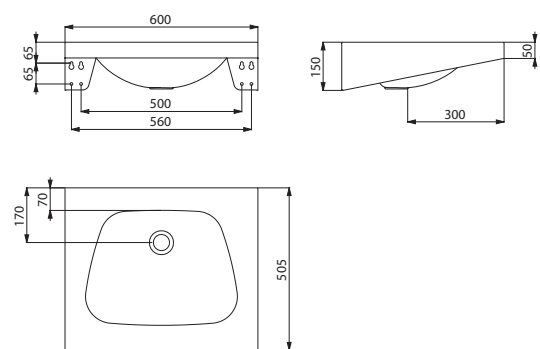
**TRAPEZ washbasin**

Wall-mounted



- Wall-mounted washbasin, 600 × 505mm.
- Shallow washbasin suitable for people with reduced mobility.
- Bacteriostatic 304 stainless steel.
- Stainless steel thickness: 1.2mm.
- Rounded edges prevent injury.
- Supplied with 1¼" waste.
- Without overflow.
- Supplied with fixing elements.
- CE marked. Complies with European standard EN 14688.
- Weight: 5.5kg.

For taps see the DELABIE catalogue "Water Controls for Public and Commercial Places" (DOC 609INT).



120270

Wall-mounted TRAPEZ washbasin - Polished satin 304 stainless steel		
Without tap hole		120270
With central tap hole Ø 35mm		121270

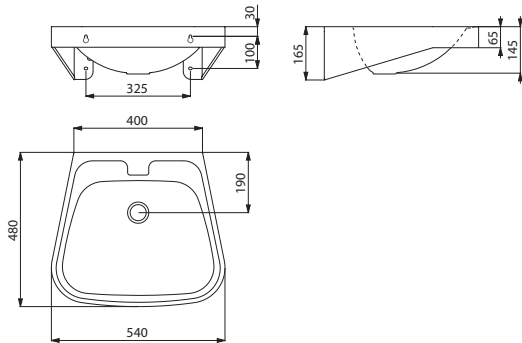
**FRAJU washbasin**

Wall-mounted

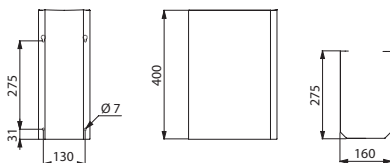


- Wall-mounted washbasin, 540 × 480mm.
- Bacteriostatic 304 stainless steel.
- Stainless steel thickness: 1.2mm for the bowl and 1.5mm for the surround.
- Rounded edges prevent injury.
- Supplied with 1¼" waste. Without overflow. Supplied with fixing elements.
- CE marked. Complies with European standard EN 14688.
- Weight: 4.65kg.
- Option to add a bacteriostatic 304 stainless steel trap cover, stainless steel thickness: 1.2mm.

For taps see the DELABIE catalogue "Water Controls for Public and Commercial Places" (DOC 609INT).



120430



100930

Wall-mounted FRAJU washbasin - Polished satin 304 stainless steel		
Without tap hole		<b>120430</b>
With central tap hole Ø 35mm		<b>121430</b>
Trap cover for FRAJU washbasin		
Polished satin 304 stainless steel		<b>100930</b>

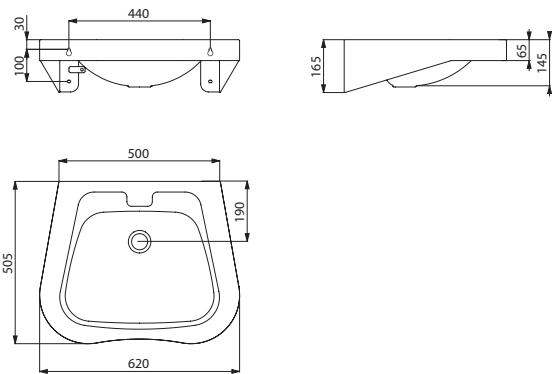
**FRAJU PMR washbasin**

Wall-mounted



- Wall-mounted washbasin, 620 × 505mm.
- Bacteriostatic 304 stainless steel.
- Stainless steel thickness: 1.2mm for the bowl and 1.5mm for the surround.
- Rounded edges prevent injury.
- Supplied with 1¼" waste. Without overflow. Supplied with fixing elements.
- CE marked. Complies with European standard EN 14688.
- Weight: 5kg.

For taps see the DELABIE catalogue "Water Controls for Public and Commercial Places" (DOC 609INT).



120440

Wall-mounted FRAJU PMR washbasin - Polished satin 304 stainless steel		
Without tap hole		<b>120440</b>
With central tap hole Ø 35mm		<b>121440</b>

: dispatch within 4 weeks : stock item





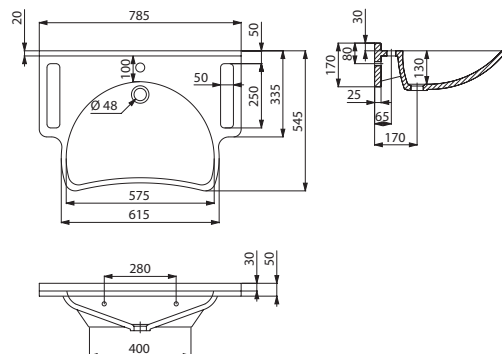
**MINERALCAST PMR washbasin**

Wall-mounted



- Wall-mounted washbasin, 785 × 545 × 150mm.
- With integral side grips which can be used as a support or a towel holder.
- Sleek and smooth lines.
- MINERALCAST: composite material consisting of natural minerals and polyester resin.
- Ideal for use in hospitals or public and commercial places.
- Shallow washbasin suitable for people with reduced mobility.
- Uniform, non-porous surface is easy to clean.
- One-piece cast washbasin, seam-free, for easy maintenance and better hygiene.
- Warm to the touch.
- Without overflow.
- Supplied with fixing elements.
- White, RAL 9016.
- Weight: 21.5kg.

For taps see the DELABIE catalogue "Water Controls for Public and Commercial Places" (DOC 609INT).



<p><b>Wall-mounted MINERALCAST PMR washbasin with central tap hole Ø 35mm</b></p>		<p><b>132306</b></p>
---	--	----------------------

132306

: dispatch within 4 weeks : stock item



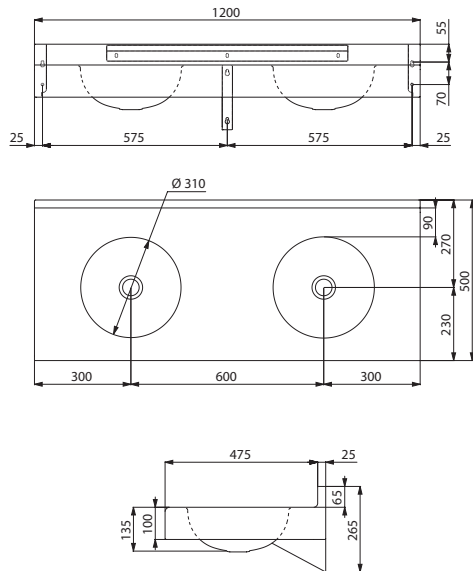
**DUPLO RP multiple washbasin**

Wall-mounted - Double washbasin



- Wall-mounted double washbasin, 1,200 × 500mm.
- With an upstand to protect the wall from splashing and improve hygiene.
- Basin internal diameter: 310mm.
- Bacteriostatic 304 stainless steel.
- Stainless steel thickness: 1.5mm.
- Rounded edges prevent injury.
- Supplied with 1¼" waste.
- Without overflow.
- Supplied with brackets and fixing elements.
- CE marked. Complies with European standard EN 14688.
- Weight: 15kg.

For taps see the DELABIE catalogue "Water Controls for Public and Commercial Places" (DOC 609INT).



120390

**Wall-mounted DUPLO RP multiple washbasin - Polished satin 304 st. steel**

Without tap hole		<b>120390</b>
With two central tap holes Ø 35mm		<b>121390</b>

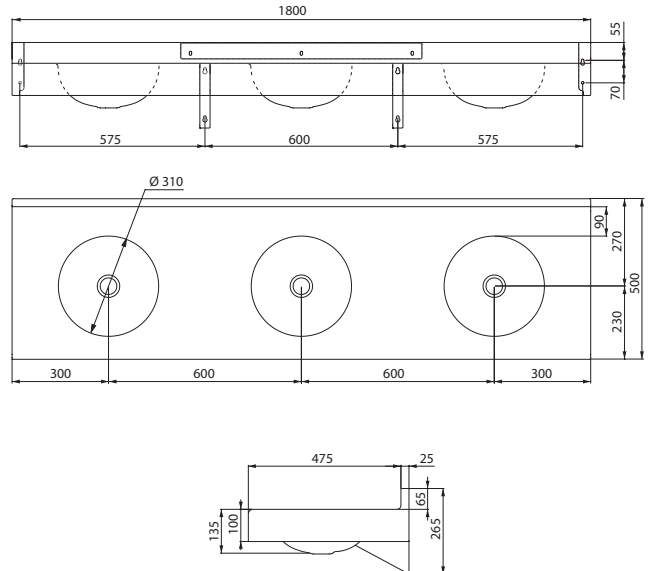
**TRIPLO RP multiple washbasin**

Wall-mounted - Triple washbasin



- Wall-mounted triple washbasin, 1,800 × 500mm.
- With an upstand to protect the wall from splashing and improve hygiene.
- Basin internal diameter: 310mm.
- Bacteriostatic 304 stainless steel.
- Stainless steel thickness: 1.5mm.
- Rounded edges prevent injury.
- Supplied with 1¼" waste.
- Without overflow.
- Supplied with brackets and fixing elements.
- CE marked. Complies with European standard EN 14688.
- Weight: 22kg.

For taps see the DELABIE catalogue "Water Controls for Public and Commercial Places" (DOC 609INT).



120750

**Wall-mounted TRIPLO RP multiple washbasin - Polished satin 304 st. steel**

Without tap hole		<b>120750</b>
With three central tap holes Ø 35mm		<b>121750</b>

: dispatch within 4 weeks : stock item



MINERALCAST wash trough with 3 services **454182** - Pedestal for MINERALCAST wash trough (x2) **454010**  
TEMPOMATIC 4 electronic tap **440006** - Electronic liquid soap dispenser **510587** - HIGHFLOW high speed air pulse hand dryer **510622**

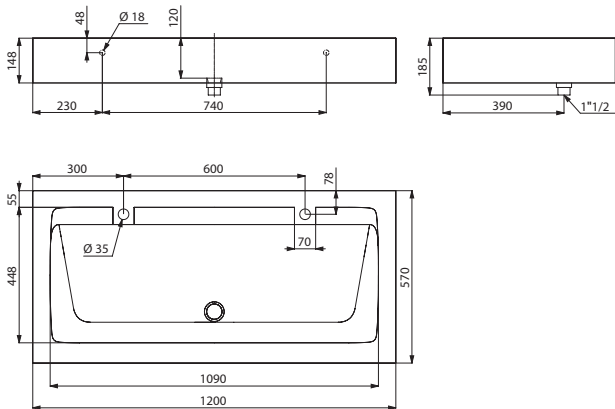
**MINERALCAST wash trough**

Wall-mounted - 2 or 3 services



- Wall-mounted wash trough.
- Available with 2 or 3 services.
- MINERALCAST: composite material consisting of natural minerals and polyester resin.
- Ideal for use in public and commercial places.
- Uniform, non-porous surface is easy to clean.
- One-piece cast washbasin, seam-free, for easy maintenance and better hygiene.
- Pleasant to the touch.
- Supplied with 1½" waste. Without overflow.
- Supplied with fixing elements.
- White, RAL 9016.
- Weight: 64kg for double basin model; 90kg for triple basin model.
- MINERALCAST pedestals in anthracite also available, sold individually.

For taps see the DELABIE catalogue "Water Controls for Public and Commercial Places" (DOC 609INT).



454122

Wall-mounted MINERALCAST wash trough without tap hole		
2 services - L. 1,200mm		454120
3 services - L. 1,800mm		454180
Wall-mounted MINERALCAST wash trough with central tap holes Ø 35mm		
2 services - L. 1,200mm		454122
3 services - L. 1,800mm		454182
MINERALCAST pedestal (sold individually)		
H. 700mm - Anthracite		454001A
H. 850mm - Anthracite		454010

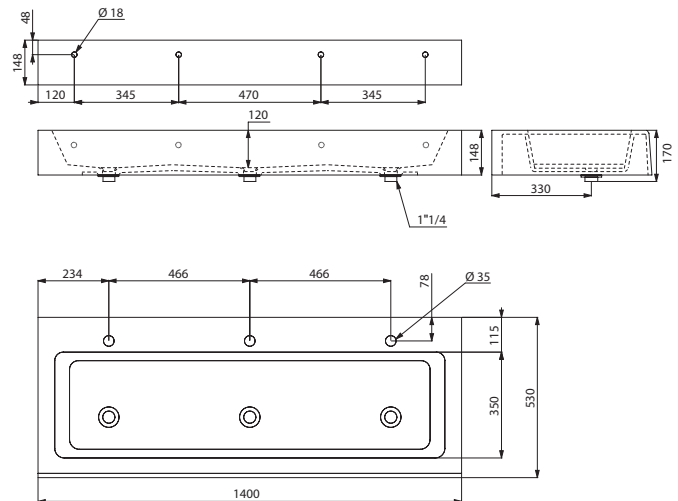
**MINERALCAST wash trough**

Wall-mounted - 3 services



- Wall-mounted wash trough, 3 services.
- MINERALCAST: composite material consisting of natural minerals and polyester resin.
- Ideal for use in public and commercial places, especially schools.
- Uniform, non-porous surface is easy to clean.
- One-piece cast wash trough, seam-free, for easy maintenance and better hygiene.
- Pleasant to the touch.
- With incline to prevent water pooling.
- Supplied with three 1¼" wastes. Without overflow.
- Supplied with fixing elements.
- White, RAL 9016.
- Weight: 63kg.

For taps see the DELABIE catalogue "Water Controls for Public and Commercial Places" (DOC 609INT).



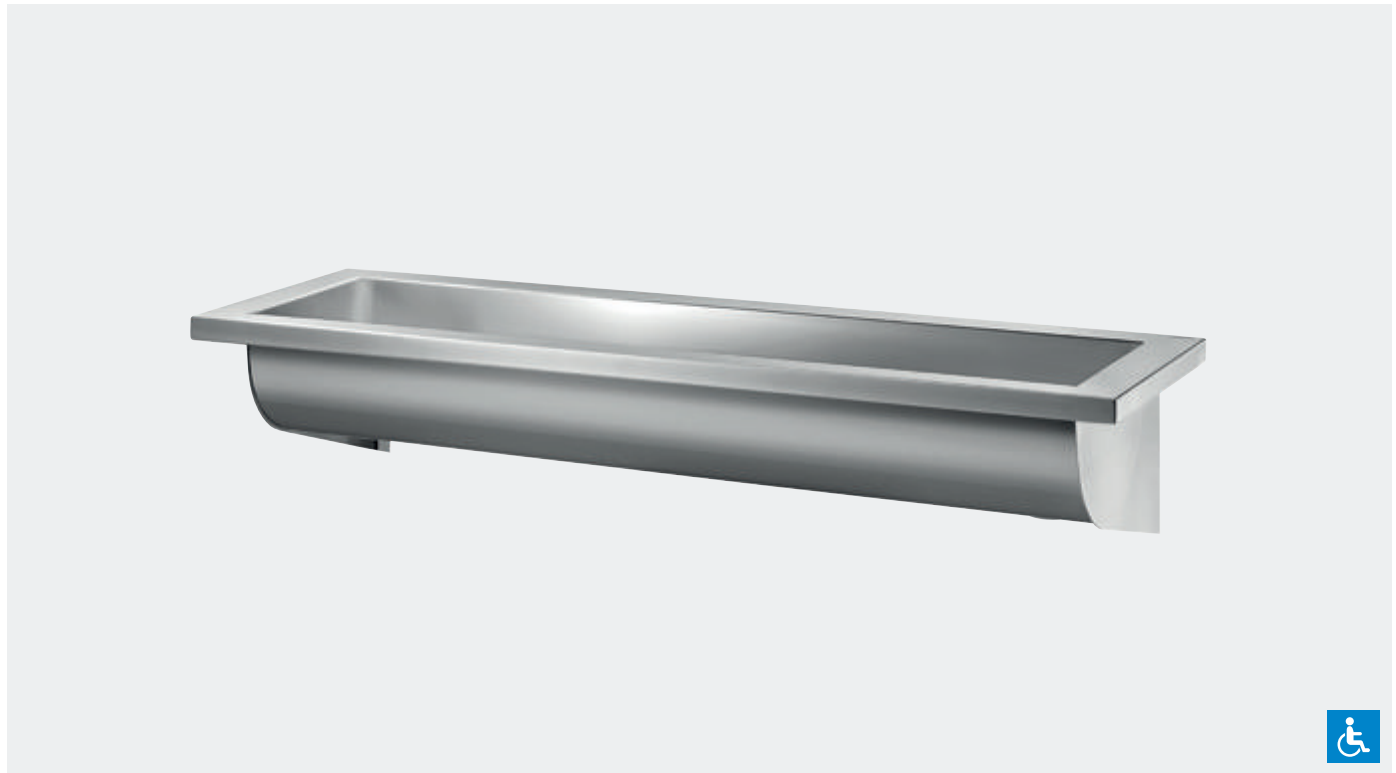
453140

Wall-mounted MINERALCAST wash trough with central tap holes Ø 35mm - 3 services - L. 1,400mm		453140
--	--	--------

: dispatch within 4 weeks : stock item







## CANAL wash trough

Wall-mounted - 1 - 5 services



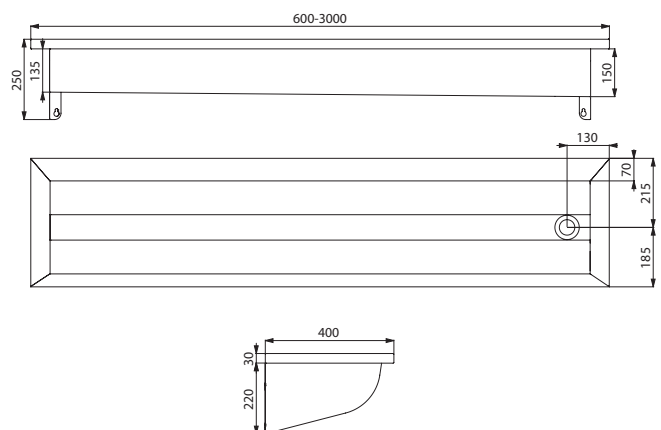
- Wall-mounted wash trough for 1 - 5 services.
- Bacteriostatic 304 stainless steel.
- Stainless steel thickness: 1mm for the trough, 1.5mm for surround and fixing brackets.
- Easy to install: no joint concealers to install, lightweight wash trough.
- Taps can be installed wall-mounted or deck-mounted.
- Drainage on the right.
- Supplied with 1½" waste. Without overflow.
- Supplied with fixing elements.
- CE marked. Complies with European standard EN 14296.
- Weight: 5.4kg for the 600mm model; 8.8kg for the 1,200mm model; 10kg for the 1,400mm model; 12.2kg for the 1,800mm model; 15.6kg for the 2,400mm model; 19kg for the 3,000mm model.
- Option to add a bacteriostatic 304 stainless steel splashback, stainless steel thickness 1.2mm (see opposite).

For taps see the DELABIE catalogue "Water Controls for Public and Commercial Places" (DOC 609INT).

Wall-mounted CANAL wash trough without tap hole		
Pol. satin 304 st. steel - 1-service - L. 600mm		<b>120240</b>
Pol. satin 304 st. steel - 2 services - L. 1,200mm		<b>120250</b>
Pol. satin 304 st. steel - 2-3 services - L. 1,400mm		<b>120260</b>
Pol. satin 304 st. steel - 3-4 services - L. 1,800mm		<b>120280</b>
Pol. satin 304 st. steel - 4 services - L. 2,400mm		<b>120300</b>
Pol. satin 304 st. steel - 5 services - L. 3,000mm		<b>120310</b>
Wall-mounted CANAL wash trough with 2 tap holes Ø 22		
Pol. satin 304 st. steel - 2 services - L. 1,200mm		<b>121250</b>

**Available on request:** other lengths (600mm - 3000mm) and left drainage

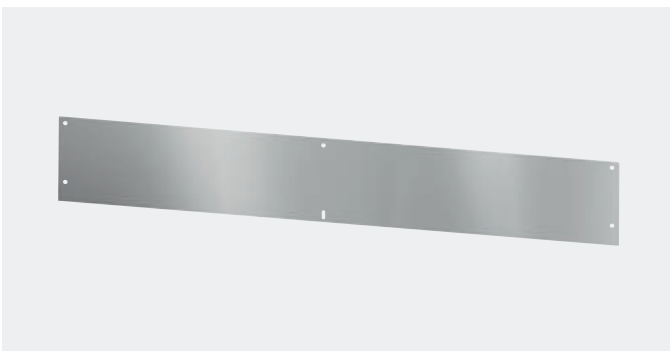
 : dispatch within 4 weeks     : stock item



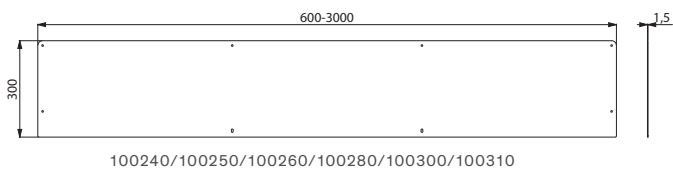
120240/120250/120260/120280/120300/120310



### Splashback for CANAL wash trough



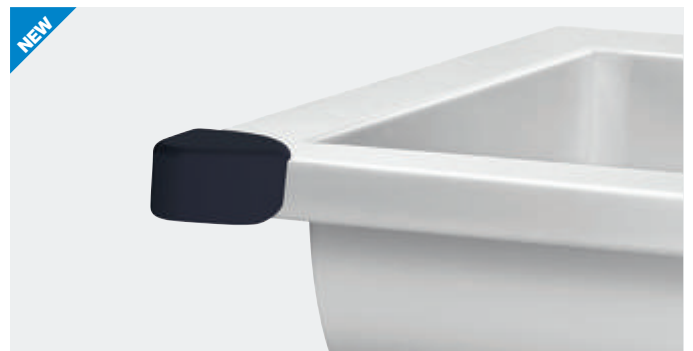
- Bacteriostatic 304 stainless steel, stainless steel thickness 1.2mm.



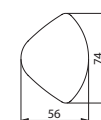
Splashback for CANAL wash trough		
Polished satin 304 stainless steel - L. 600mm		<b>100240</b>
Polished satin 304 stainless steel - L. 1,200mm		<b>100250</b>
Polished satin 304 stainless steel - L. 1,400mm		<b>100260</b>
Polished satin 304 stainless steel - L. 1,800mm		<b>100280</b>
Polished satin 304 stainless steel - L. 2,400mm		<b>100300</b>
Polished satin 304 stainless steel - L. 3,000mm		<b>100310</b>

**Available request:** others lengths (600mm - 3,000mm)

### Protective corners for CANAL wash trough



- Adhesive protective corners supplied with double-sided adhesive tape.
- Made from elastomer plastic.
- Sold in packs of 2.
- Grey, RAL 7015.



100209

Protective corners for CANAL wash trough	
	<b>100209</b>

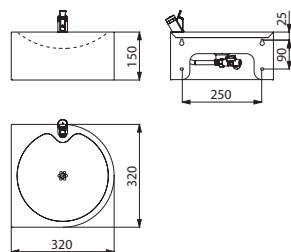
: dispatch within 4 weeks : stock item

**SD drinking fountain**

Wall-mounted





- Wall-mounted drinking fountain.
- Bacteriostatic 304 stainless steel.
- Stainless steel thickness: 1.2mm.
- Rounded edges prevent injury.
- Supplied with a WRAS approved bubbler tap: chrome-plated, instant shut-off and adjustable flow rate, inlet M $\frac{3}{8}$ ".
- Flat perforated waste, without screws: easy to clean and vandal-resistant.
- Recessed horizontal water outlet. Waste outlet 1 $\frac{1}{4}$ ".
- Supplied with fixing elements.
- Weight: 2.4kg.



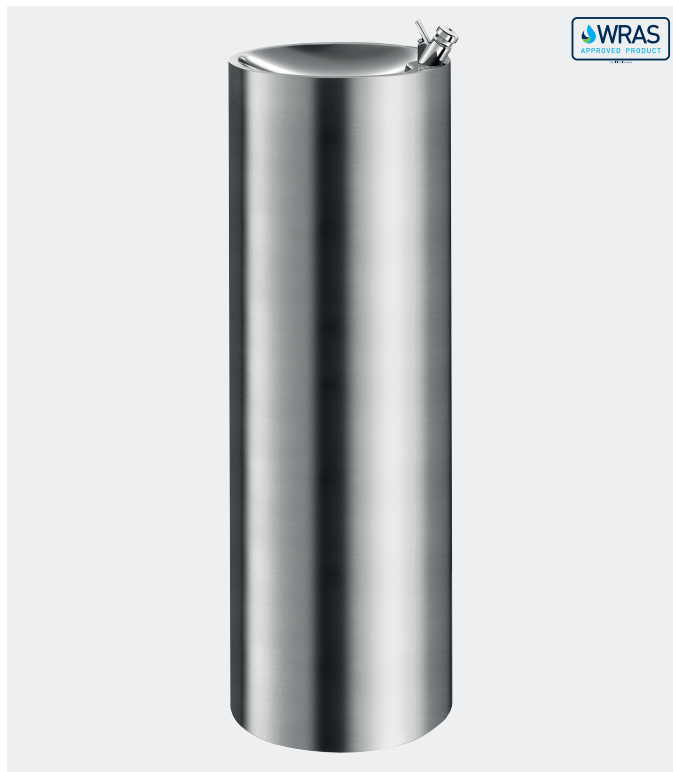
180800

Wall-mounted SD drinking fountain with integrated bubbler tap - Polished satin 304 stainless steel  **180800**

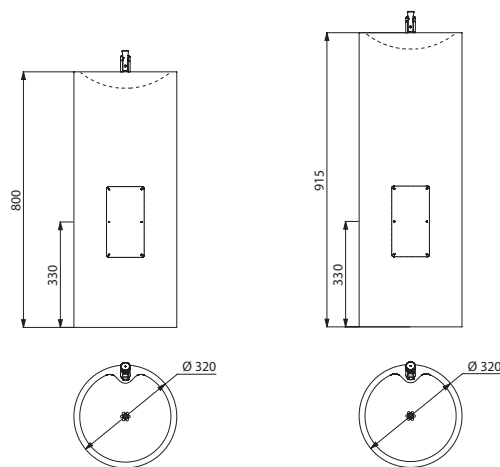
 : dispatch within 4 weeks  : stock item

**ILHA and ILHA JR drinking fountains**

Floor-standing



- Floor-standing drinking fountain.
- Bacteriostatic 304 stainless steel. Stainless steel thickness: 0.8mm.
- Available in two different heights: 915mm and 800mm for children.
- Supplied with a WRAS approved bubbler tap: chrome-plated, instant shut-off and adjustable flow rate, inlet M $\frac{3}{8}$ ".
- Flat perforated waste, without screws: easy to clean and vandal-resistant.
- Recessed vertical water outlet. Waste outlet 1 $\frac{1}{4}$ ".
- Supplied with fixing elements.
- Weight: 9kg for the 800mm model; 9.6kg for the 915mm model.



180110

180100

**Floor-standing ILHA and ILHAJR drinking fountains with integrated bubbler tap**

Polished satin 304 stainless steel - Height 915mm 	<b>180100</b>
Polished satin 304 stainless steel - Height 800mm 	<b>180110</b>



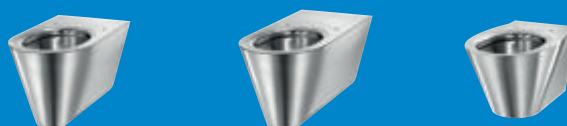


S21 S wall-hung WC pan **110310** - TEMPOFIX 3 frame system with TEMPOFLUX 2 time flow direct flush valve **578305 + 578222**  
Toilet paper dispenser **2912** - Wall-mounted toilet brush set with lid **4051S** - Coat hook **4043P**

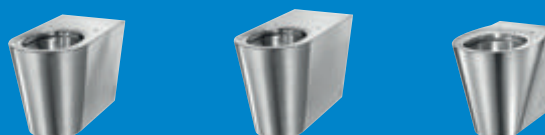


# WC pans

WALL-HUNG  
**35**



FLOOR-STANDING  
**38**



CLOSE  
COUPLED  
**40**



TOILET  
SEATS & LIDS  
**41**



SQUAT WC PANS  
**42**





S21 S wall-hung WC pan **110310** - TEMPOFIX 3 frame system with TEMPOFLUX 2 time flow direct flush valve **578305 + 578222**  
Toilet paper dispenser **2912** - Wall-mounted toilet brush set with lid **4051S** - Coat hook **4043P**

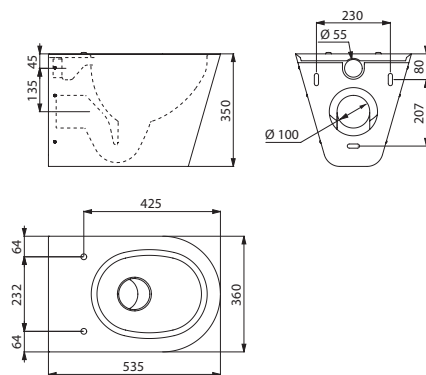
**S21 S standard WC pan and 700 S WC pan for people with reduced mobility**

Wall-hung

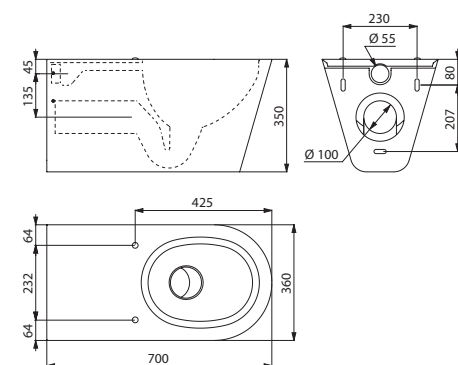


- Wall-hung WC pan.
- Available with 700mm elongated pan for improved comfort for people with reduced mobility (700 S).
- Compatible with all standard frame systems available on the market.
- Elegant and simple design.
- Bacteriostatic 304 stainless steel.
- Stainless steel thickness: 1.5mm.
- One-piece pressed WC bowl, seam-free for easy maintenance and better hygiene.
- WC bowl surface is polished with rounded edges for easy cleaning.
- Concealed perimetral flushing rim.
- Horizontal water inlet: Ø 55mm.
- Horizontal waste outlet: Ø 100mm.
- Water saving: works with 4L or more of water.
- Shrouded WC pan.
- Pre-drilled holes for fixing the toilet seat. Supplied with stainless steel blanking caps when installed without toilet seat.
- Quick and easy to install from the front thanks to a stainless steel mounting frame.
- Supplied with fixing plate and 6 theft prevention TORX security screws.
- CE marked. Complies with European standard EN 997 for 4L flush.
- Optional toilet seat with or without lid (see page 41).
- Black protective pads can be ordered for the S21 S WC pan (see page 41) or the S21 S WC pan can be ordered with the black protective pads already fixed to the WC pan.
- Available for cross wall installation in service ducts (see page 70).
- Weight: 11kg for the S21 S model; 14.5kg for the 700 S model.

For flush valves see the DELABIE catalogue "Water Controls for Public and Commercial Places" (DOC 609INT).



110310



110710

<b>Wall-hung S21 S WC pan</b>		
Polished satin 304 stainless steel		<b>110310</b>
With black protective pads fixed to WC pan		<b>110310PAD</b>
<b>Wall-hung 700 S WC pan for people with reduced mobility</b>		
Polished satin 304 stainless steel		<b>110710</b>

: dispatch within 4 weeks    : stock item



S21 S wall-hung WC pan **110310** - TEMPOFIX 3 frame system with TEMPOFLUX 3 time flow direct flush valve **564065 + 763000**  
Toilet paper dispenser **2911** - Wall-mounted toilet brush set with lid **4051P**

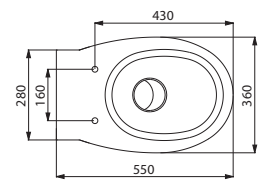
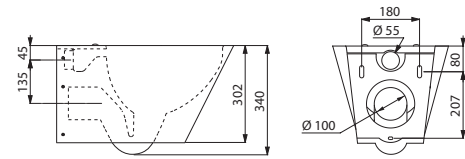
**BCN S WC pan**

Wall-hung





WC PANS

- Wall-hung WC pan.
- Compatible with all standard frame systems available on the market.
- Elegant and simple design.
- Bacteriostatic 304 stainless steel.
- Stainless steel thickness: 1.5mm.
- Dual finish is available: bright polished pan interior and polished satin exterior.
- One-piece pressed WC bowl, seam-free for easy maintenance and better hygiene.
- WC bowl surface is polished with rounded edges for easy cleaning.
- Concealed perimetral flushing rim.
- Horizontal water inlet: Ø 55mm.
- Horizontal waste outlet: Ø 100mm.
- Water saving: works with 4L or more of water.
- Shrouded pan.
- Pre-drilled holes for fixing the toilet seat. Supplied with stainless steel blanking caps when installed without toilet seat.
- Quick and easy to install from the front thanks to a stainless steel mounting frame.
- Supplied with fixing plate and 6 theft prevention TORX security screws.
- CE marked. Complies with European standard EN 997 for 4L flush.
- Optional toilet seat with lid (see page 41).
- Weight: 12kg.



110110/110112

For flush valves see the DELABIE catalogue "Water Controls for Public and Commercial Places" (DOC 609INT).

Wall-hung BCN S WC pan		
Polished satin 304 stainless steel		<b>110110</b>
Dual finish 304 stainless steel		<b>110112</b>

 : dispatch within 4 weeks     : stock item

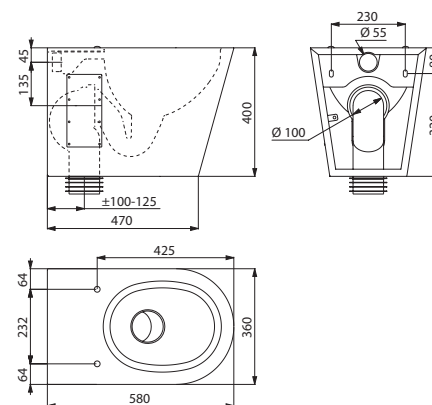
**S21 P standard WC pan and 700 P WC pan for people with reduced mobility**

Floor-standing

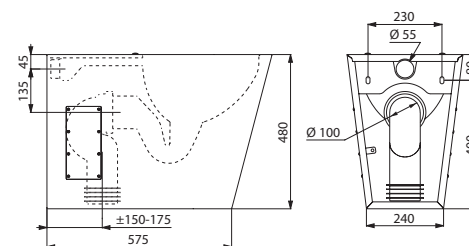


- Floor-standing WC pan.
- Available with 700mm elongated pan for better comfort for people with reduced mobility (700 P).
- Elegant and simple design.
- Bacteriostatic 304 stainless steel.
- Stainless steel thickness: 1.5mm.
- One-piece pressed WC bowl, seam-free for easy maintenance and better hygiene.
- WC bowl surface is polished with rounded edges for easy cleaning.
- Concealed perimetral flushing rim.
- Horizontal water inlet: Ø 55mm.
- Horizontal or vertical waste outlet: Ø 100mm. Supplied with PVC pipe.
- Water saving: works with 4L or more of water.
- Pre-drilled holes for fixing the toilet seat. Supplied with stainless steel blanking caps when installed without toilet seat.
- Quick and easy to install: 2 access panels with theft prevention TORX security screws.
- CE marked. Complies with European standard EN 997 for 4L flush.
- Optional toilet seat with or without lid (see page 41).
- Available for cross wall installation in service ducts (see page 70).
- Weight: 14kg for the S21 P model; 15kg for the 700 P model.



For flush valves see the DELABIE catalogue "Water Controls for Public and Commercial Places" (DOC 609INT).



110300



110700

<b>Floor-standing S21 P WC pan</b>		
Polished satin 304 stainless steel		<b>110300</b>
<b>Floor-standing 700 P WC pan for people with reduced mobility</b>		
Polished satin 304 stainless steel		<b>110700</b>

 : dispatch within 4 weeks     : stock item

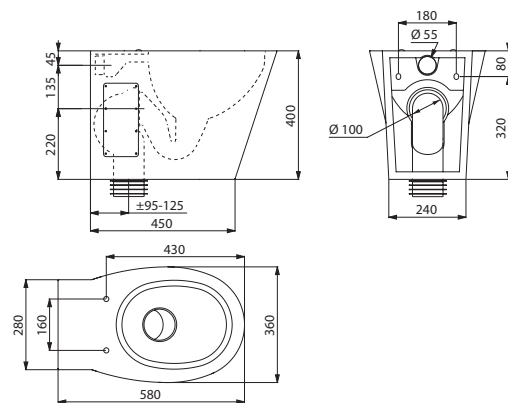


**BCN P WC pan**  
Floor-standing



WC PANS

- Floor-standing WC pan.
- Elegant and simple design.
- Bacteriostatic 304 stainless steel.
- Stainless steel thickness: 1.5mm.
- One-piece pressed WC bowl, seam-free for easy maintenance and better hygiene.
- WC bowl surface is polished with rounded edges for easy cleaning.
- Concealed perimetral flushing rim.
- Horizontal water inlet: Ø 55mm.
- Horizontal or vertical waste outlet: Ø 100mm. Supplied with PVC pipe.
- Water saving: works with 4L or more of water.
- Pre-drilled holes for fixing the toilet seat. Supplied with stainless steel blanking caps when installed without toilet seat.
- Quick and easy to install: 2 access panels with theft prevention TORX security screws.
- CE marked. Complies with European standard EN 997 for 4L flush.
- Optional toilet seat with lid (see page 41).
- Weight: 12kg.



110100

For flush valves see the DELABIE catalogue "Water Controls for Public and Commercial Places" (DOC 609INT).

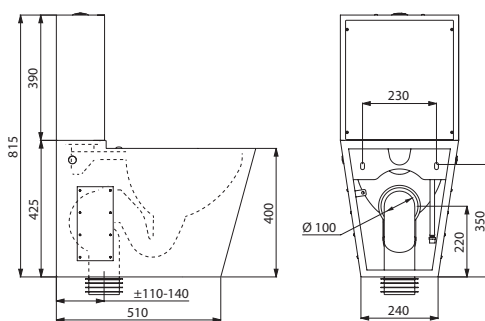
<p><b>Floor-standing BCN P WC pan</b> Polished satin 304 stainless steel</p>		<p><b>110100</b></p>
--	---	----------------------

 : dispatch within 4 weeks  : stock item

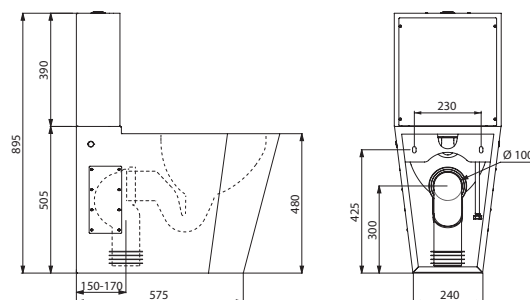
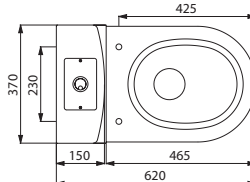
**MONOBLOCO S21 standard WC pan and MONOBLOCO 700 PMR WC pan for people with reduced mobility**  
With cistern



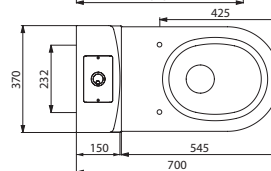
- Floor-standing WC pan with dual flush cistern 3L/6L.
- Available with 700mm elongated pan for better comfort for people with reduced mobility (700 PMR).
- Bacteriostatic 304 stainless steel. Stainless steel thickness: 1.5mm.
- One-piece pressed WC bowl, seam-free for better hygiene.
- WC bowl surface is polished with rounded edges for easy cleaning.
- Concealed perimetral flushing rim. Water supply can be recessed from below or exposed from the side (right/left).
- Recessed horizontal or vertical waste outlet. Supplied with PVC pipe.
- Pre-drilled holes for fixing the toilet seat. Supplied with stainless steel blanking caps when installed without toilet seat.
- Quick to install: 2 access panels with theft prevention TORX security screws.
- CE marked. Complies with European standard EN 997 for 4L flush.
- Optional toilet seat with or without lid (see page 41).
- Weight: 21kg for the S21 model; 22kg for the 700 PMR model.





110390



110790



<b>MONOBLOCO S21 close coupled WC pan</b>		
Polished satin 304 stainless steel		<b>110390</b>
<b>MONOBLOCO 700 PMR close coupled WC pan for people with reduced mobility</b>		
Polished satin 304 stainless steel		<b>110790</b>

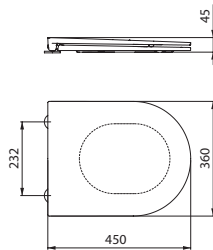
 : dispatch within 4 weeks     : stock item

**Toilet seat for S21/700 WC models**

With lid



- Toilet seat with lid.
- Made from Duroplast.
- With 304 stainless steel hinges.
- Slimline design for black and grey models.
- For S21 and 700 WC models.
- Supplied with fixing elements.



102819/102839

**S21/700 toilet seat with lid**

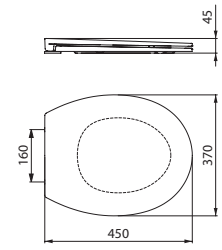
Black - Slimline design - Duroplast		<b>102819</b>
Grey - Slimline design - Duroplast		<b>102839</b>
White - Duroplast		<b>101829</b>

**Toilet seat for BCN WC model**

With lid



- Toilet seat with lid.
- Made from Duroplast.
- With 304 stainless steel hinges.
- Slimline design for black models.
- For BCN WC models.
- Supplied with fixing elements.



102419

**BCN toilet seat with lid**

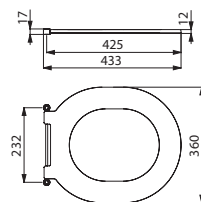
Black - Slimline design - Duroplast		<b>102419</b>
White - Duroplast		<b>101429</b>

**Toilet seat for S21/700 WC models**

Vandal-resistant - Without lid



- Toilet seat without lid.
- Polyethylene vandal-resistant model is easy to clean.
- With 304 stainless steel hinges.
- For S21 and 700 WC models.
- Supplied with fixing elements.



101619

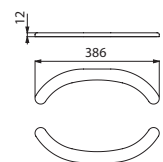
<b>S21/700 toilet seat without lid - Black - Polyethylene</b>		<b>101619</b>
---	--	---------------

**Black protective pads**

Vandal-resistant



- Black protective pads to stick directly on to stainless steel WCs.
- Made from polyethylene.
- S21 S WC pan can be ordered with the protective pads fixed in place on the toilet (see page 35).



100589

<b>Black protective pads</b>		<b>100589</b>
------------------------------	--	---------------

: dispatch within 4 weeks : stock item

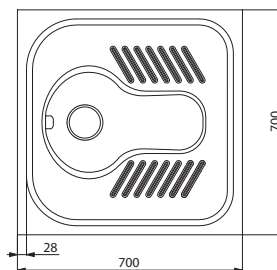
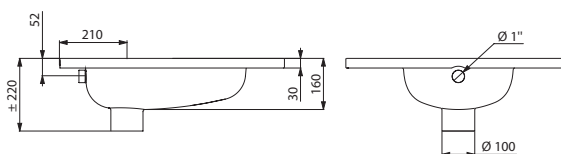
**SHA 700 squat WC pan**

Recessed

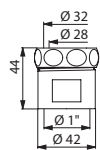


- Floor-recessed squat WC pan.
- Bacteriostatic 304 stainless steel.
- Stainless steel thickness 1.2mm.
- One-piece pressed WC bowl, seam-free for easy maintenance and better hygiene.
- Bowl shape suitable for male and female use.
- Non-slip foot area.
- Vertical waste outlet: Ø 100mm.
- Flushing system with one 304 stainless steel spreader.
- Supplied with stainless steel trap welded to squat WC pan (depending on the model).
- Weight: 6kg for the model without a trap; 8kg for the model with a trap.

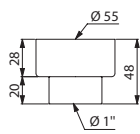
For flush valves see the DELABIE catalogue "Water Controls for Public and Commercial Places" (DOC 609INT).



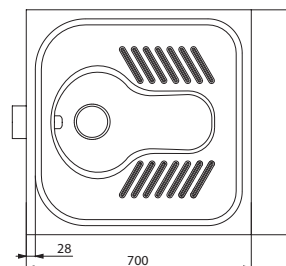
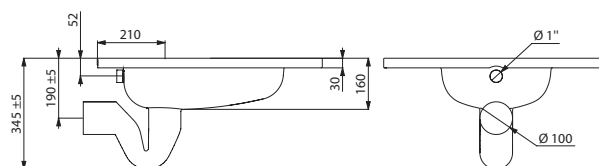
113610







827032



100569



113620

Recessed SHA 700 squat WC pan - 1 spreader		
Polished satin 304 stainless steel - Without trap		<b>113610</b>
Polished satin 304 stainless steel - With trap		<b>113620</b>
Flush tube adaptor		
Ø 28-32mm for direct flush		<b>827032</b>
Ø 55mm for cistern flush		<b>100569</b>

 : dispatch within 4 weeks     : stock item

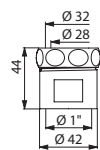
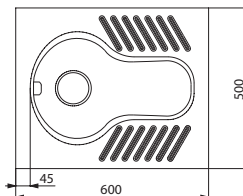
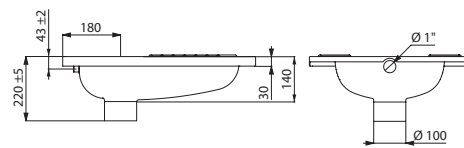
**SHA XS squat WC pan**

Recessed

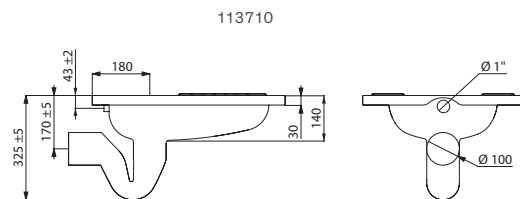


- Floor-recessed squat WC pan.
- Bacteriostatic 304 stainless steel.
- Stainless steel thickness 1.2mm.
- One-piece pressed WC bowl, seam-free for easy maintenance and better hygiene.
- Bowl shape suitable for male and female use.
- Non-slip foot area.
- Vertical waste outlet: Ø 100mm.
- Flushing system with one 304 stainless steel spreader.
- Supplied with stainless steel trap welded to squat WC pan (depending on the model).
- Weight: 5kg for the model without a trap; 7kg for the model with a trap.

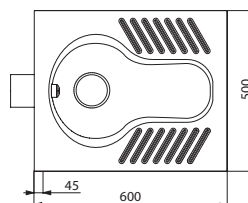
For flush valves see the DELABIE catalogue "Water Controls for Public and Commercial Places" (DOC 609INT).






827032



113710



Recessed SHA XS squat WC pan - 1 spreader		
Polished satin 304 stainless steel - Without trap		<b>113710</b>
Polished satin 304 stainless steel - With trap		<b>113720</b>
Flush tube adaptor		
Ø 28-32mm for direct flush		<b>827032</b>

NB: the Ø55mm flush tube adaptor is not suitable for the SHA XS squat WC pan

 : dispatch within 4 weeks     : stock item

113720



# Urinals

INDIVIDUAL  
**47**



URINAL  
DIVIDERS  
**54**



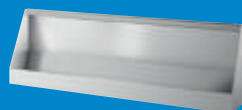
RECESSED  
TROUGH  
**56**



FLOOR-STANDING  
TROUGH  
**57**



WALL-HUNG  
TROUGH  
**58**







**FINO urinal**

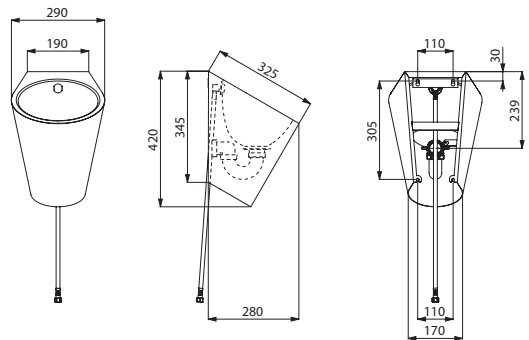
Rimless

**NEW**

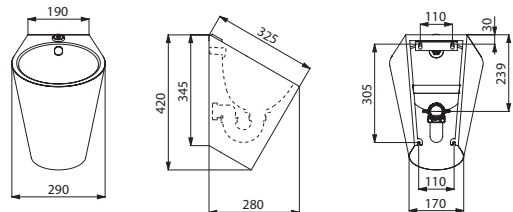


- Wall-hung individual rimless urinal.
- Compatible with all standard frame systems on the market.
- Bacteriostatic 304 stainless steel. Stainless steel thickness: 1.2mm.
- Rear (recessed) or top (exposed) water inlet.
- Recessed or exposed waste outlet. Concealed trap.
- Quick and easy to install from the front thanks to a stainless steel mounting frame.
- Supplied with a 1½" P trap. Supplied with fixing elements.
- CE marked. Complies with European standard EN 13407 for 2L flush.
- Weight: 3.5kg.




For urinal valves see the DELABIE catalogue "Water Controls for Public and Commercial Places" (DOC 609INT).





135710



135110

Wall-hung FINO urinal		
<b>Recessed water inlet</b>		
Polished satin 304 stainless steel		<b>135710</b>
<b>Exposed water inlet</b>		
Polished satin 304 stainless steel		<b>135110</b>
Neck tube		<b>757135</b>

 : dispatch within 4 weeks     : stock item

**FINO WF urinal**

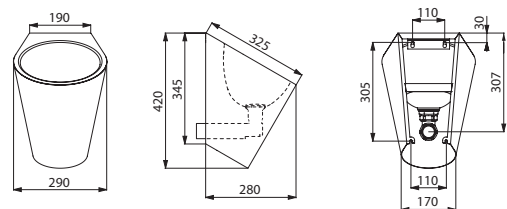
Water-free

**NEW**

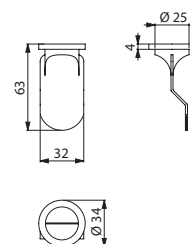


- Wall-hung individual water-free urinal.
- Compatible with all standard frame systems on the market.
- Bacteriostatic 304 stainless steel.
- Stainless steel thickness: 1.2mm.
- Horizontal waste outlet.
- Quick and easy to install from the front thanks to a stainless steel mounting frame.
- 1½" waste outlet.
- Supplied with a silicone membrane to prevent bad smells.
- Supplied with fixing elements.
- Weight: 3.5kg.

*Water-free urinals should be rinsed every 2 hours to prevent bad smells and blockages in the pipework.*



135010



101309

Wall-hung FINO WF urinal - Water-free		
Polished satin 304 stainless steel		<b>135010</b>
Silicone membrane		<b>101309</b>

 : dispatch within 4 weeks     : stock item

**HYBRIMATIC FINO urinal**

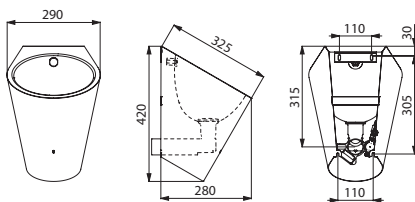
With hybrid rinsing system

**• HYBRIMATIC system:**

- Battery-operated with 123 6V Lithium batteries.
- Concealed fluid detector.
- Waste with membrane and no water level.
- Electronics integrated into the urinal.
- Micro-rinse for one second after each user in eco programme (or after 3 seconds in comfort programme).
- High-frequency mode: the rinse takes place after the busy period.
- Hygienic duty flush for 7 seconds every 24 hours in eco mode (or for 14 seconds every 12 hours in comfort mode): prevents bad smells and blockages in the pipework.
- Flow rate pre-set at 0.07 L/sec. at 3 bar, can be adjusted.
- Stopcock.

**• Wall-hung FINO rimless urinal:**

- Compatible with all standard frame systems on the market.
- Bacteriostatic 304 stainless steel.
- Stainless steel thickness: 1.2mm.
- Polished satin stainless steel finish.
- Rear water inlet.
- Recessed horizontal waste outlet.



130000

*Provisional availability: 1<sup>st</sup> half of 2020.**Please contact sales office to check availability.***Wall-hung HYBRIMATIC FINO urinal**  
**Stainless steel - Hybrid rinsing system****130000**

⌚ : dispatch within 4 weeks    📦 : stock item

**HYBRIMATIC:  
A SERIOUS ECOLOGICAL ALTERNATIVE  
TO WATER-FREE URINALS****Water savings**

Traditionally, the urinal flush fulfils three roles: rinse the sides of the bowl, replace the water in the trap and prevent urine crystallisation in the pipework.

Thanks to the waste with a membrane, and the absence of a water level, HYBRIMATIC saves the water for replenishing the trap. Using only 7cl (1 second's worth of water flow), the whole of the bowl and the membrane is cleaned.

During busy periods, the high-frequency mode is active. The rinse only takes place once it detects the departure of the last user, reducing water consumption.

**Ecological**

Unlike "water-free" urinals, the HYBRIMATIC does not require the use of chemicals or costly products (liquids and cleaning products). Stainless steel is 100% recyclable, contributing to sustainable development and protecting the environment.

**Unique detection system**

The hybrid detection system is integrated into the urinal and is not visible from the exterior.

The rinse takes place automatically when fluid is detected in the urinal.

**Easy to install and simple to maintain**

The wall-hung urinal is compatible with all standard frame systems available on the market. It is supplied with all necessary fixings. Access to the internal components is simple and secure, from underneath the urinal.

**Total hygiene**

No manual contact prevents the spread of germs by hand. HYBRIMATIC's flush activates automatically when the user leaves. A hygienic duty flush takes place every 24 hours (can be adjusted to 12 hours). It prevents bacterial proliferation and the problem of blockages in the pipework. HYBRIMATIC is supplied with a reduced-stagnation solenoid valve.

**Minimal servicing**

Regular rinsing reduces the frequency of urinal maintenance and membrane replacement.

**Ideal for intensive use**

DELABIE's sanitary ware is subjected to performance tests to ensure that it will withstand the demands of exposed environments. It is specifically designed for use in all types of public and commercial places.

**Vandal-resistant**

DELABIE has developed an automatic flush technology which is based on the detection of flowing urine. As a result, there are no cells visible or within the reach of the user. The internal components and fixing elements are concealed.

*The HYBRIMATIC system is also available with the DELTACÉRAM ceramic urinal (see page 53).*



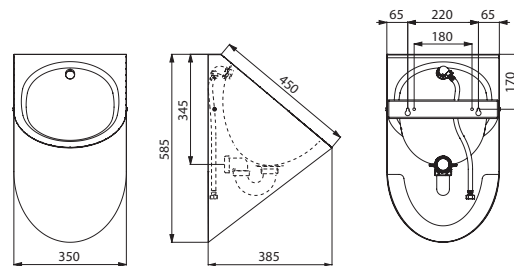
**DELTA urinal**

Rimless

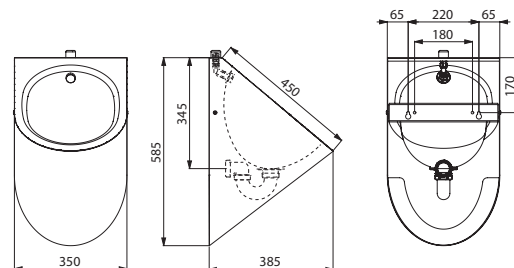


- Wall-hung individual rimless urinal.
- Compatible with all standard frame systems on the market.
- Bacteriostatic 304 stainless steel. Stainless steel thickness: 1.2mm.
- Dual finish is available: bright polished pan interior and polished satin exterior.
- Rear (recessed) or top (exposed) water inlet.
- Recessed or exposed waste outlet. Concealed trap.
- Quick and easy to install from the front thanks to a stainless steel mounting frame.
- Supplied with 1½" P trap, fixing elements and theft prevention TORX security screws.
- CE marked. Complies with European standard EN 13407 for 2L flush.
- Weight: 7.5kg.

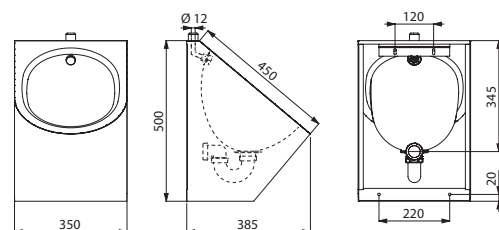
For urinal valves see the DELABIE catalogue "Water Controls for Public and Commercial Places" (DOC 609INT).



134770/134772



134170



134710

Wall-hung DELTA urinal		
<b>Recessed water inlet</b>		
Polished satin 304 stainless steel		<b>134770</b>
Dual finish 304 stainless steel		<b>134772</b>
<b>Exposed water inlet</b>		
Polished satin 304 st. steel - Recessed water outlet		<b>134170</b>
Polished satin 304 st. steel - Exposed or recessed water outlet		<b>134710</b>
Neck tube		<b>757162</b>

: dispatch within 4 weeks    : stock item



EASY-D ceramic urinal pack with TEMPOSOFT 2 angled time flow urinal valve **133888**

**EASY-D ceramic urinal pack**

The "ready-to-install" solution

**4 reasons to choose the DELABIE EASY-D urinal packs:**



**Packs specifically designed for public and commercial places:**

DELABIE's packs include robust products that will withstand intensive use and which are suitable for any user.



**100% DELABIE's own urinal valves:**

The packs benefit from all the advantages of our urinal valves such as: more than 60% water savings, easy to maintain, quick to install and simple adjustment.



**"All-in-one" complete packs:**

DELABIE's packs include all the necessary items for complete installation - urinal, urinal valve, accessories and fixing elements – supplied in a single package for easy transportation and storage.



**Hygienic packs:**

The products offered in DELABIE's packs are designed to reduce niches where bacteria can develop and facilitate cleaning.



\* Provisional availability: 2<sup>nd</sup> half of 2020.  
Please contact sales office to check availability.

EASY-D ceramic urinal packs		
With TEMPOSOF 2 time flow urinal valve, angled for recessed inlets		133888
With TEMPOSOF 2 time flow urinal valve, straight for in-line inlets		133788
DELTACÉRAM urinal only		
Ceramic - Recessed water inlet		134718
Ceramic - Exposed water inlet		134118
Neck tube		757118
HYBRIMATIC DELTACÉRAM urinal		
Ceramic - Hybrid rinsing system		130008 *

: dispatch within 4 weeks    : stock item

**EASY-D ceramic urinal packs contain:**

- A ceramic rimless urinal which complies with European standard EN 13407 (CE marked): recessed or exposed waste outlet, with concealed trap; weight: 11.5kg;
- A TEMPOSOF 2 exposed time flow urinal valve: soft-touch operation, time flow ~3 seconds, flow rate pre-set at 0.15 L/sec. at 3 bar, can be adjusted, chrome-plated solid brass body;
- Chrome-plated neck tube with water nozzle;
- Waste and trap;
- Fixing elements kit;
- An installation guide.



Pack with TEMPOSOF 2 angled valve  
Ref. 133888

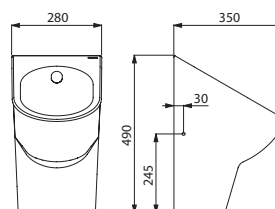


Pack with TEMPOSOF 2 in-line valve  
Ref. 133788

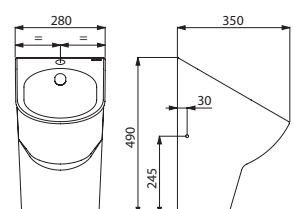
It is possible to buy a DELTACÉRAM ceramic urinal (with water nozzle, waste and trap) and add the desired DELABIE urinal valve: recessed or exposed electronic urinal valve, recessed or exposed time flow urinal valve. For urinal valves see the DELABIE catalogue "Water Controls for Public and Commercial Places" (DOC 609INT).



It is possible to buy a DELTACÉRAM urinal fitted with the HYBRIMATIC hybrid rinsing system. For more information about the HYBRIMATIC rinsing system, see page 49.



134718



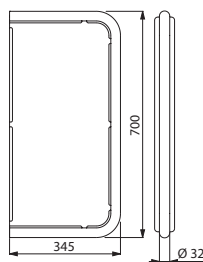
134118

**TU divider**

Wall-hung



- Wall-hung urinal divider.
- Bacteriostatic 304 stainless steel.
- Stainless steel thickness: 1.5mm.
- Smooth surface and rounded edges.
- Supplied with theft prevention TORX security screws.
- Weight: 6.2kg.



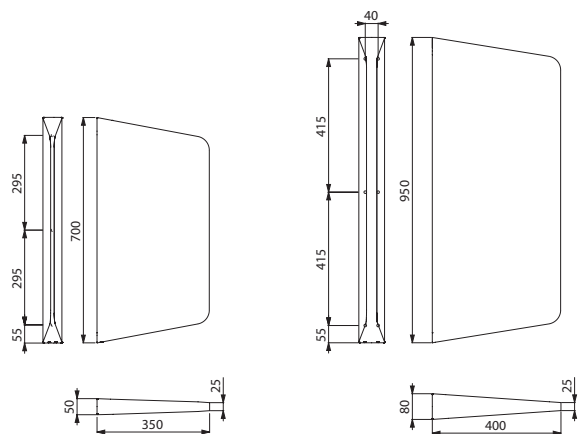
100610

**LISO and LISO XL dividers**

Wall-hung



- Wall-hung urinal divider.
- Bacteriostatic 304 stainless steel.
- Stainless steel thickness: 1.5mm.
- Smooth surface and rounded edges.
- Concealed fixings.
- Supplied with fixing elements.
- Weight: 8kg for the LISO model; 13kg for the LISO XL model.



100590

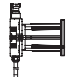

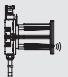





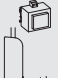



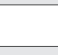



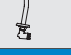
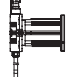
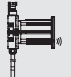












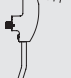


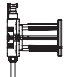
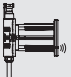
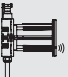

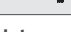
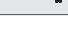






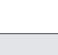




100600

<p><b>Wall-hung TU urinal divider</b>  <b>Polished satin 304 stainless steel - Height 700mm</b></p>		<b>100610</b>
---	--	---------------

: dispatch within 4 weeks    : stock item

<b>Wall-hung LISO and LISO XL urinal dividers</b>		
Polished satin 304 stainless steel - Height 700mm		<b>100590</b>
Polished satin 304 stainless steel - Height 950mm		<b>100600</b>



Necessary equipment	Recommendations for time flow controls	Recommendations for electronic controls				
		battery-op.		mains		
<b>FINO urinal 135710 - Recessed inlet</b>						
Recessed valve	778BOX + 778700		430PBOX + 430006		430SBOX + 430000	
Neck tube	757430		757430		757430	
<b>FINO urinal 135110 - In-line inlet</b>						
In-line valve	777000 or 777800		479406		477000	
Neck tube	757135		757135		757135	
Transformer	-		-		406000	
<b>FINO urinal 135110 - Angled inlet</b>						
Angled valve	778000 or 778800		479408			
Neck tube	757135		757135			
<b>DELTA urinal 134770 - Recessed inlet</b>						
Recessed valve	778BOX + 778700		430PBOX + 430006		430SBOX + 430000	
Neck tube	757430		757430		757430	
<b>DELTA urinal 134170 - In-line inlet</b>						
In-line valve	777000 or 777800		479406		477000	
Neck tube	757162		757162		757162	
Transformer	-		-		406000	
<b>DELTA urinal 134170 - Angled inlet</b>						
Angled valve	778000 or 778800		479408			
Neck tube	757162		757162			
<b>DELTACÉRAM urinal 134718 - Recessed inlet</b>						
Recessed valve	778BOX + 778700		430PBOX + 430006		430SBOX + 430000	
Neck tube	757430		757430		757430	
<b>DELTACÉRAM urinal 134118 - In-line inlet</b>						
In-line valve	777000 or 777800		479406		477000	
Neck tube	757118		757118		757118	
Transformer	-		-		406000	
<b>DELTACÉRAM urinal 134118 - Angled inlet</b>						
Angled valve	778000 or 778800		479408			
Neck tube	757118		757118			

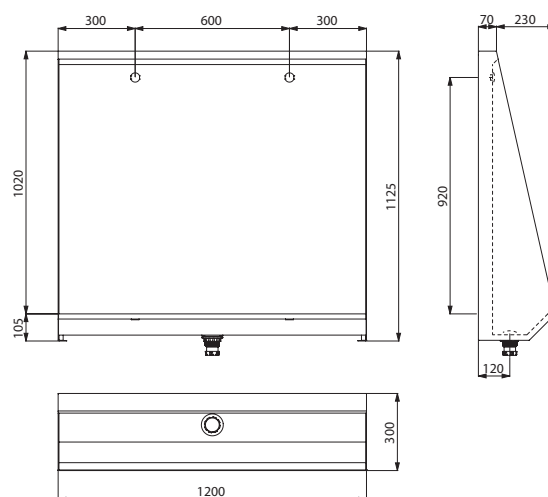
## Lurinal

Recessed - 1 - 3 services






- Trough urinal for recessing in the floor.
- Bacteriostatic 304 stainless steel. Stainless steel thickness: 1.2mm.
- Rear water inlet. Central drainage.
- Supplied with 1 stainless steel rinser and 1 flexible hose for the 600mm model; 2 stainless steel rinsers and 2 flexible hoses for the 1,200mm model; 3 stainless steel rinsers and 3 flexible hoses for the 1,800mm model.
- Water saving: optimal rinsing with 0.1 L/sec. per service i.e. 0.3L per use.
- Waste outlet 1½". Supplied with waste and integrated trap (ref. 785000).
- Weight: 16.8kg for the 600mm model; 25.4kg for the 1,200mm model; 34kg for the 1,800mm model.

For urinal valves see the DELABIE catalogue "Water Controls for Public and Commercial Places" (DOC 609INT).



130210

Lurinal - Rear water inlet			
Polished satin 304 stainless steel - 1 service - L. 600mm		<b>130200</b>	
Polished satin 304 stainless steel - 2 services - L. 1,200mm		<b>130210</b>	
Polished satin 304 stainless steel - 3 services - L. 1,800mm		<b>130220</b>	

**Available on request:** other lengths (600mm - 2,400mm)

 : dispatch within 4 weeks     : stock item

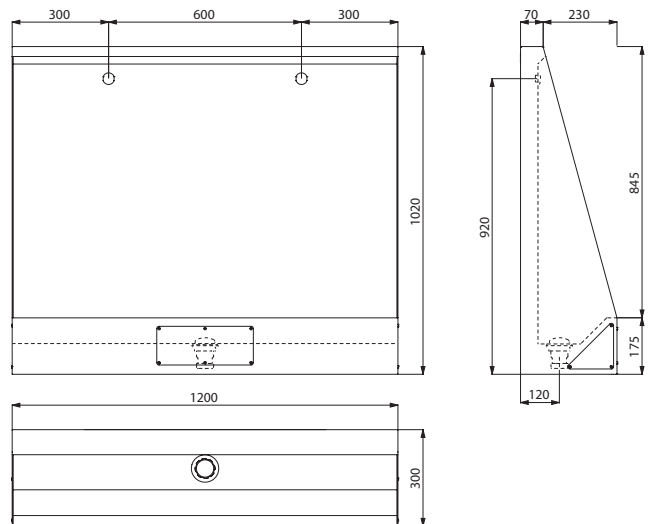
**LP urinal**

Floor-standing - 1 - 3 services



- Floor-standing trough urinal.
- Bacteriostatic 304 stainless steel. Stainless steel thickness: 1.2mm.
- Rear water inlet. Central drainage.
- Supplied with 1 stainless steel rinser and 1 flexible hose for the 600mm model; 2 stainless steel rinsers and 2 flexible hoses for the 1,200mm model; 3 stainless steel rinsers and 3 flexible hoses for the 1,800mm model.
- Water saving: optimal rinsing with 0.1 L/sec. per service i.e. 0.3L per use.
- Waste outlet 1½". Supplied with waste and integrated trap (ref. 785000).
- Easy to install and maintain thanks to access panels with theft prevention TORX security screws.
- Weight: 15.2kg for the 600mm model; 24.2kg for the 1,200mm model; 33.5kg for the 1,800mm model.

For urinal valves see the DELABIE catalogue "Water Controls for Public and Commercial Places" (DOC 609INT).



130310

LP urinal - Rear water inlet		
Polished satin 304 stainless steel - 1 service - L. 600mm		<b>130300</b>
Polished satin 304 stainless steel - 2 services - L. 1,200mm		<b>130310</b>
Polished satin 304 stainless steel - 3 services - L. 1,800mm		<b>130320</b>

**Available on request:** other lengths (600mm - 2,400mm)

: dispatch within 4 weeks    : stock item

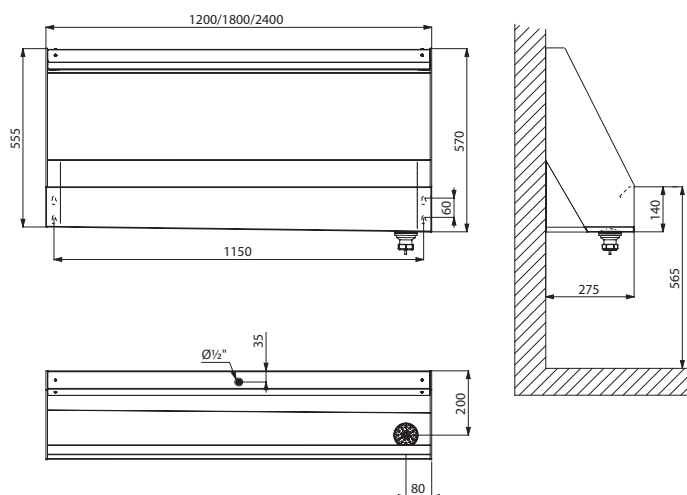
## Trough urinal

Wall-hung - 2 - 4 services

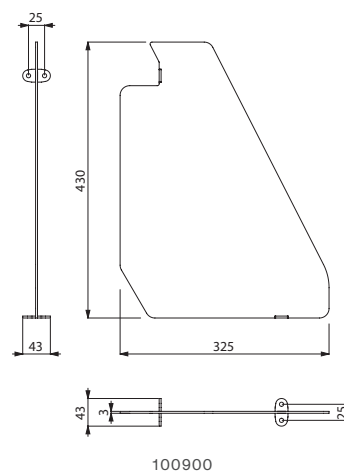






- Wall-hung trough urinal.
- Bacteriostatic 304 stainless steel. Stainless steel thickness: 1.2mm.
- Top water inlet F½. Drainage on the right.
- Supplied with 1 stainless steel sparge pipe (perforated horizontal pipe) for optimum rinsing of urinal surface.
- Water saving; optimal rinsing with 0.1 L/sec. per service i.e. 0.3L per use.
- Waste outlet 1½". Supplied with waste and integrated trap (ref. 785000).
- Weight: 17.5kg for the 1,200mm model; 24.8kg for the 1,800mm model; 32.1kg for the 2,400mm model.
- Possible to add one or more bacteriostatic 304 stainless steel dividers. Fix directly onto the urinal in the desired location.
- Installation advice: If you wish to install 2 urinals side-by-side, we recommend ordering one urinal with drainage on the left and one urinal with drainage on the right.

For urinal valves see the DELABIE catalogue "Water Controls for Public and Commercial Places" (DOC 609INT).






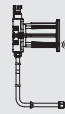








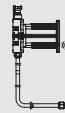
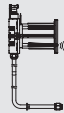





130100/130110/130120



Wall-hung trough urinal - Top water inlet			
Polished satin 304 stainless steel - 2 services - L. 1,200mm		<b>130100</b>	
Polished satin 304 stainless steel - 3 services - L. 1,800mm		<b>130110</b>	
Polished satin 304 stainless steel - 4 services - L. 2,400mm		<b>130120</b>	
Urinal divider for trough urinals		<b>100900</b>	

Available on request: other lengths (600mm - 2,900mm) and left drainage

 : dispatch within 4 weeks     : stock item

Necessary equipment	Recommendations for time flow controls	Recommendations for electronic controls				
		battery-op.		mains		
<b>L urinals 130200 / 130210 / 130220 - Recessed inlet</b>						
Recessed valve (1 per service)	779BOX + 779221					
	or					
	779128					
	or					
	779427		430PBOX + 430006		430SBOX + 430000	
	or		757430		757430	
779421						
or						
777924 + 777925						
<b>LP urinals 130300 / 130310 / 130320 - Recessed inlet</b>						
Recessed valve (1 per service)	779BOX + 779221					
	or					
	779128					
	or					
	779427		430PBOX + 430006		430SBOX + 430000	
	or		757430		757430	
779421						
or						
777924 + 777925						
<b>Wall-mounted urinals 130100 / 130110 / 130120 - Exposed inlet</b>						
Recessed valve with IR barrier	-	-	-	-	487620	

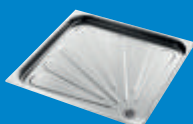


# Shower trays

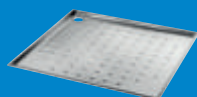
700 X 700  
**62**



800 X 800  
**62**



PMR  
**63**



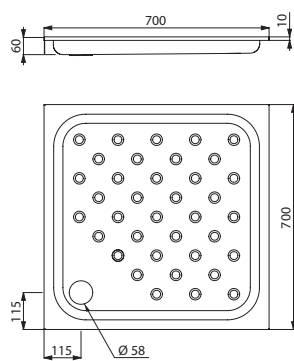
## Shower tray 700 × 700

Recessed



- Recessed shower tray.
- Bacteriostatic 304 stainless steel.
- Stainless steel thickness: 1.2mm.
- One-piece pressed shower tray, seam-free for easy maintenance and better hygiene.
- Rounded internal corners for improved safety in the shower.
- Drainage slope.
- Supplied with 1½" waste.
- Non-slip surface.
- CE marked. Complies with European standard EN 14527.
- Weight: 5.5kg.

For shower controls see the DELABIE catalogue "Water Controls for Public and Commercial Places" (DOC 609INT).



150100

Recessed shower tray - 700 × 700mm  
Polished satin 304 stainless steel - Depth 60mm



150100

: dispatch within 4 weeks : stock item

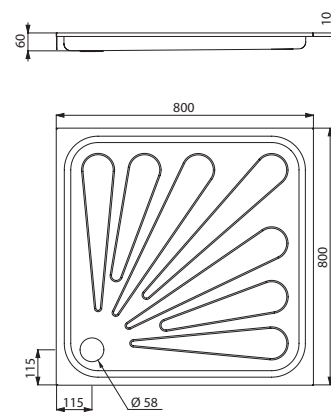
## Shower tray 800 × 800

Recessed



- Recessed shower tray.
- Bacteriostatic 304 stainless steel.
- Stainless steel thickness: 1.2mm.
- One-piece pressed shower tray, seam-free for easy maintenance and better hygiene.
- Rounded internal corners for improved safety in the shower.
- Drainage slope.
- Supplied with 1½" waste.
- Non-slip surface.
- CE marked. Complies with European standard EN 14527.
- Weight: 7kg.

For shower controls see the DELABIE catalogue "Water Controls for Public and Commercial Places" (DOC 609INT).



150300

Recessed shower tray - 800 × 800mm  
Polished satin 304 stainless steel - Depth 60mm



150300

: dispatch within 4 weeks : stock item



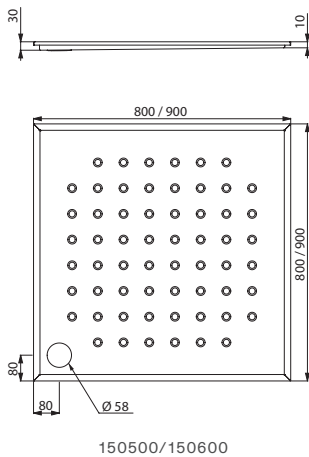
**PMR shower tray**

Recessed



- Recessed shower tray.
- Suitable for people with reduced mobility: slimline shower tray.
- Bacteriostatic 304 stainless steel.
- Stainless steel thickness: 1.5mm.
- Drainage slope.
- Supplied with 1½" waste.
- Non-slip surface.
- CE marked. Complies with European standard EN 14527.
- Weight: 8.5kg for the 800 × 800mm model;  
9.5kg for the 900 × 900mm model.

For shower controls see the DELABIE catalogue "Water Controls for Public and Commercial Places" (DOC 609INT).



**Recessed PMR shower tray**

Polished satin 304 st. steel - 800 × 800mm - Depth 30mm		<b>150500</b>
Polished satin 304 st. steel - 900 × 900mm - Depth 30mm		<b>150600</b>

: dispatch within 4 weeks    : stock item



# Secure sector

WASHBASINS  
**66**



WC PANS  
SQUAT WC PANS  
**70**



WASHBASIN  
AND WC  
COMBINATIONS  
**72**



URINALS  
**76**



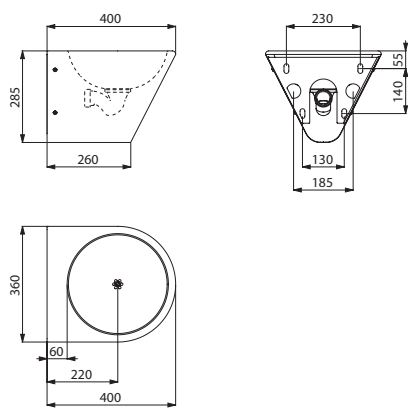
**BOB HD hand washbasin**

Wall-mounted with concealed drainage



- Wall-mounted hand washbasin.
- Basin internal diameter: 310mm.
- Clean and simple design.
- Bacteriostatic 304 stainless steel.
- Stainless steel thickness: 1.2mm.
- Rounded edges prevent injury.
- Vandal-resistant: shrouded basin, concealed trap, and reinforced mounting frame.
- Quick and easy to install from the front thanks to a stainless steel mounting frame.
- Supplied with 1½" waste and trap.
- Without overflow.
- Supplied with fixing elements.
- CE marked. Complies with European standard EN 14688.
- Weight: 5.5 kg.

For taps see the DELABIE catalogue "Water Controls for Public and Commercial Places" (DOC 609INT).



164130

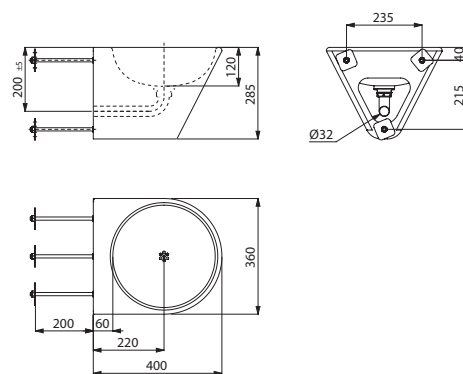
**BOB TC hand washbasin**

Wall-mounted with concealed drainage



- Wall-mounted hand washbasin, cross wall installation for service ducts.
- Basin internal diameter: 310mm.
- Clean and simple design.
- Bacteriostatic 304 stainless steel.
- Stainless steel thickness: 1.2mm.
- Rounded edges prevent injury.
- Vandal-resistant: shrouded basin.
- 200mm threaded rod can be cut to size (other lengths available on request).
- Without overflow.
- Supplied with fixing elements.
- CE marked. Complies with European standard EN 14688.
- Weight: 5.5 kg.

For taps see the DELABIE catalogue "Water Controls for Public and Commercial Places" (DOC 609INT).



160130

Wall-mounted BOB HD hand washbasin Polished satin 304 stainless steel - Without tap hole		164130
---	--	--------

: dispatch within 4 weeks : stock item

Wall-mounted BOB TC hand washbasin Polished satin 304 stainless steel - Without tap hole		160130
---	--	--------

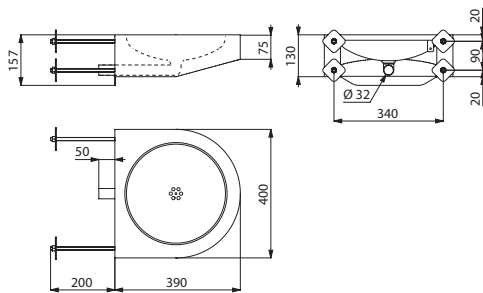
**PMR XS TC hand washbasin**

Wall-mounted for disabled people



- Wall-mounted hand washbasin, cross wall installation for service ducts.
- Basin internal diameter: 310mm.
- Bacteriostatic 304 stainless steel.
- Stainless steel thickness: 1.2mm.
- Rounded edges prevent injury.
- Vandal-resistant: shrouded basin.
- 200mm threaded rod can be cut to size (other lengths available on request).
- Without overflow.
- Supplied with fixing elements.
- CE marked. Complies with European standard EN 14688.
- Weight: 4.5kg.

For taps see the DELABIE catalogue "Water Controls for Public and Commercial Places" (DOC 609INT).



160250

Wall-mounted PMR XS TC hand washbasin Polished satin 304 stainless steel - Without tap hole		160250
--	--	--------

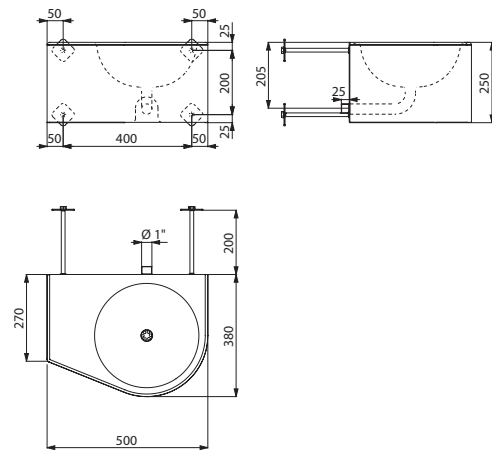
**DUO S TC washbasin**

Wall-mounted with concealed drainage



- Wall-mounted hand washbasin, cross wall installation for service ducts.
- Integrated countertop.
- 2 models available: right hand basin or left hand basin.
- Basin internal diameter: 310mm.
- Bacteriostatic 304 stainless steel.
- Stainless steel thickness: 1.2mm.
- Rounded edges prevent injury.
- Vandal-resistant: shrouded basin.
- 200mm threaded rod can be cut to size (other lengths available on request).
- Recessed horizontal waste outlet Ø 1".
- Flat perforated waste, without screws: easy to clean and vandal-resistant.
- Without overflow. Supplied with fixing elements.
- CE marked. Complies with European standard EN 14688.
- Weight: 8.5kg.

For taps see the DELABIE catalogue "Water Controls for Public and Commercial Places" (DOC 609INT).



160360

Wall-mounted DUO S TC washbasin without tap hole		
Polished satin 304 stainless steel - Right hand basin		160360
Polished satin 304 stainless steel - Left hand basin		160370

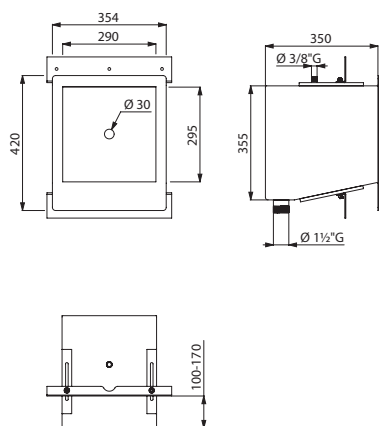
: dispatch within 4 weeks : stock item

**COMMISSARIAT hand washbasin**

Recessed



- Recessed hand washbasin, cross wall installation for service ducts.
- Interior basin dimensions: 290 × 290 × 350mm.
- Bacteriostatic 304 stainless steel.
- Stainless steel thickness: 2mm.
- Rounded edges prevent injury.
- Suitable for prisons, police stations, etc.
- Vandal-resistant: water inlet and outlet cannot be accessed by user.
- Supplied without water controls. We recommend electronic control: ref. 447100.
- Weight: 12.5kg.



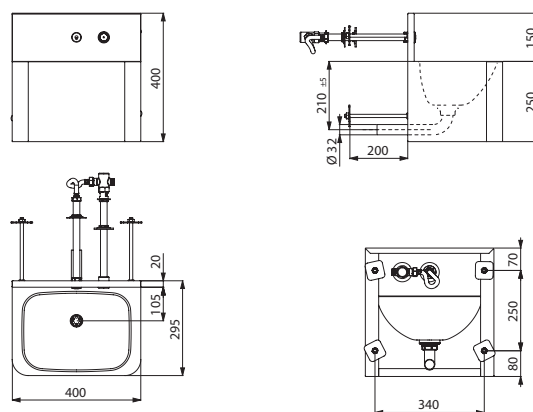
160330

**TEK TC washbasin**

Concealed drainage and integrated tap



- Wall-mounted washbasin, cross wall installation for service ducts.
- Bacteriostatic 304 stainless steel.
- Stainless steel thickness: 1.2mm.
- Rounded edges prevent injury.
- Vandal-resistant: shrouded basin.
- 200mm threaded rod can be cut to size (other lengths available on request).
- Supplied with 1 time flow tap: stainless steel tamperproof push-button and anti-blocking system, 7-second time flow.
- Recessed horizontal waste outlet Ø 32mm.
- Flat perforated waste, without screws: easy to clean and vandal-resistant.
- Without overflow.
- Supplied with fixing elements.
- CE marked. Complies with European standard EN 14688.
- Weight: 9kg.



160340

Recessed COMMISSARIAT hand washbasin Polished satin 304 stainless steel	🕒	160330
--	---	--------

🕒 : dispatch within 4 weeks    📦 : stock item

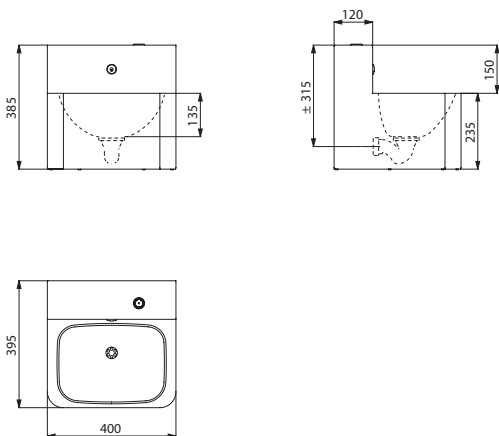
Wall-mounted TEK TC washbasin with integrated tap Polished satin 304 stainless steel	🕒	160340
---	---	--------

**TEK washbasin**

Concealed drainage and integrated tap



- Wall-mounted washbasin.
- Bacteriostatic 304 stainless steel.
- Stainless steel thickness: 1.2mm
- Rounded edges prevent injury.
- Vandal-resistant: shrouded basin, concealed trap.
- Supplied with 1 time flow tap: stainless steel tamperproof push-button and anti-blocking system, 7-second time flow.
- Recessed horizontal waste outlet Ø 32mm.
- Flat perforated waste, without screws: easy to clean and vandal-resistant.
- Without overflow.
- Supplied with trap.
- Supplied with fixing elements.
- CE marked. Complies with European standard EN 14688.
- Weight: 8.6kg.



161340

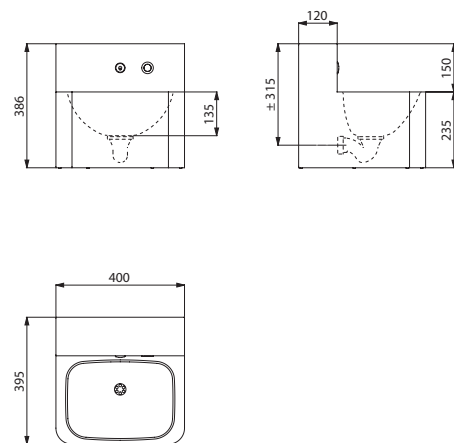
Wall-mounted TEK washbasin, integrated tap Polished satin 304 stainless steel		161340
--	--	--------

**TEK washbasin**

Concealed drainage and integrated electronic tap



- Wall-mounted washbasin.
- Bacteriostatic 304 stainless steel.
- Stainless steel thickness: 1.2mm.
- Rounded edges prevent injury.
- Vandal-resistant: shrouded basin, concealed trap.
- Supplied with 1 electronic tap: flow rate pre-set at 3 lpm, infrared presence detection, adjustable duty flush, 230/12V mains supply.
- Recessed horizontal waste outlet Ø 32mm.
- Flat perforated waste, without screws: easy to clean and vandal-resistant.
- Without overflow.
- Supplied with trap.
- Supplied with fixing elements.
- CE marked. Complies with European standard EN 14688.
- Weight: 8.3kg.



161440

Wall-mounted TEK washbasin, integrated electronic tap Polished satin 304 stainless steel		161440
---	--	--------

: dispatch within 4 weeks : stock item

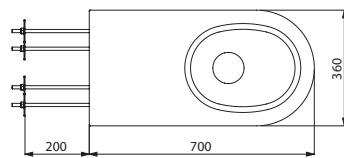
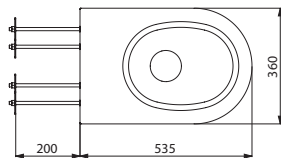
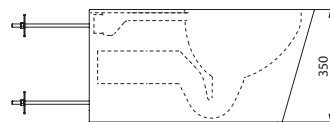
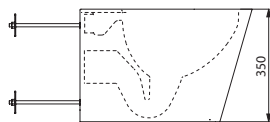
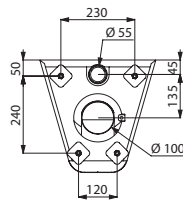
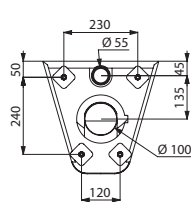
## S21 S TC and 700 S TC WC pans

Wall-hung



- Wall-hung WC pan, cross wall installation for service ducts.
- Available with 700mm elongated pan for improved comfort for people with reduced mobility (700 S TC).
- Bacteriostatic 304 stainless steel. Stainless steel thickness: 1.5mm.
- One-piece, pressed WC bowl, seam-free for easy maintenance and better hygiene.
- WC bowl surface is polished with rounded edges for easy cleaning.
- Concealed perimetral flushing rim.
- Horizontal water inlet: Ø 55mm.
- Horizontal waste outlet: Ø 100mm.
- Water saving: works with 4L or more of water.
- 200mm threaded rod can be cut to size (other lengths available on request).
- Shrouded WC pan.
- CE marked. Complies with European standard EN 997 for 4L flush.
- Weight: 11kg for the S21 S TC model; 16.5kg for the 700 S TC model.

For flush valves see the DELABIE catalogue "Water Controls for Public and Commercial Places" (DOC 609INT).



160310

160710

### Wall-hung S21 S TC WC pan

Polished satin 304 stainless steel



160310

### Wall-hung 700 S TC WC pan for people with reduced mobility

Polished satin 304 stainless steel



160710

: dispatch within 4 weeks

: stock item

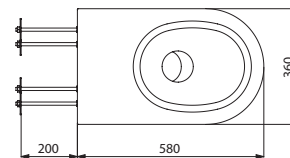
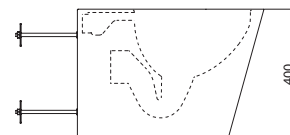
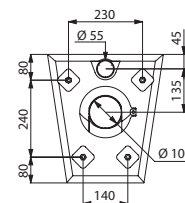
## S21 P TC WC pan

Floor-standing



- Floor-standing WC pan, cross wall installation for service ducts.
- Bacteriostatic 304 stainless steel.
- Stainless steel thickness: 1.5mm.
- One-piece, pressed WC bowl, seam-free for easy maintenance and better hygiene.
- WC bowl surface is polished with rounded edges for easy cleaning.
- Concealed perimetral flushing rim.
- Horizontal water inlet: Ø 55mm.
- Horizontal waste outlet: Ø 100mm.
- Water saving: works with 4L or more of water.
- 200mm threaded rod can be cut to size (other lengths available on request).
- CE marked. Complies with European standard EN 997 for 4L flush.
- Weight: 13.5kg.

For flush valves see the DELABIE catalogue "Water Controls for Public and Commercial Places" (DOC 609INT).



160550

### Floor-standing S21 P TC WC pan

Polished satin 304 stainless steel



160550



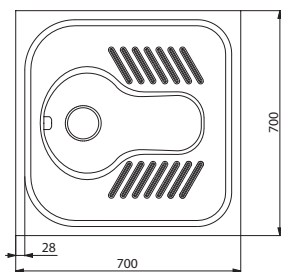
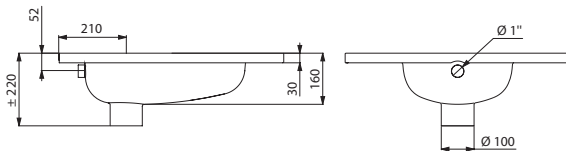
### SHA 700 squat WC pan

Recessed

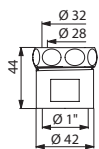


- Floor-recessed squat WC pan.
- Bacteriostatic 304 stainless steel.
- Stainless steel thickness 1.2mm.
- One-piece pressed WC bowl, seam-free for easy maintenance and better hygiene.
- Bowl shape suitable for male and female use.
- Non-slip foot area.
- Vertical waste outlet: Ø 100mm.
- Flushing system with one 304 stainless steel spreader.
- Supplied with stainless steel trap welded to squat WC pan (depending on the model).
- Weight: 6kg for the model without a trap; 8kg for the model with a trap.

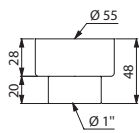
For flush valves see the DELABIE catalogue "Water Controls for Public and Commercial Places" (DOC 609INT).



113610



827032



100569

#### Recessed SHA 700 squat WC pan - 1 spreader

Polished satin 304 stainless steel - Without trap		<b>113610</b>
Polished satin 304 stainless steel - With trap		<b>113620</b>

#### Flush tube adaptor

Ø 28-32mm for direct flush		<b>827032</b>
Ø 55mm for cistern flush		<b>100569</b>

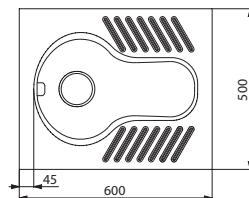
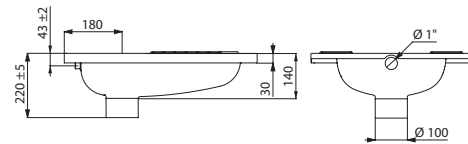
### SHA XS squat WC pan

Recessed

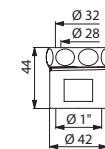


- Floor-recessed squat WC pan.
- Bacteriostatic 304 stainless steel.
- Stainless steel thickness 1.2mm.
- One-piece pressed WC bowl, seam-free for easy maintenance and better hygiene.
- Bowl shape suitable for male and female use.
- Non-slip foot area.
- Vertical waste outlet: Ø 100mm.
- Flushing system with one 304 stainless steel spreader.
- Supplied with stainless steel trap welded to squat WC pan (depending on the model).
- Weight: 5kg for the model without a trap; 7kg for the model with a trap.

For flush valves see the DELABIE catalogue "Water Controls for Public and Commercial Places" (DOC 609INT).



113710



827032

#### Recessed SHA XS squat WC pan - 1 spreader

Polished satin 304 stainless steel - Without trap		<b>113710</b>
Polished satin 304 stainless steel - With trap		<b>113720</b>

#### Flush tube adaptor

Ø 28-32mm for direct flush		<b>827032</b>
----------------------------	--	---------------

NB: the Ø55mm flush tube adaptor is not suitable for the SHA XS squat WC pan

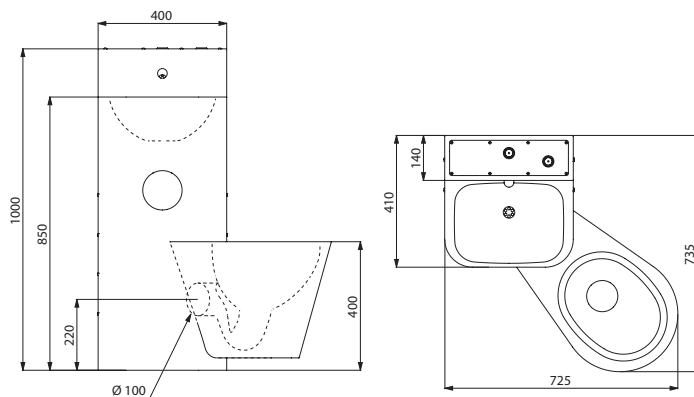
: dispatch within 4 weeks : stock item

## KOMPACT washbasin and hung WC combination

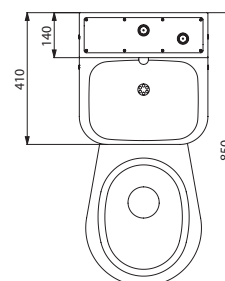
Wall-mounted installation with access panel



- Combination unit: washbasin and hung WC pan with recessed toilet roll holder.
- Wall-mounted installation with 3 access panels, 2 on the sides and 1 on the top, with theft prevention TORX security screws.
- Bacteriostatic 304 stainless steel.
- Stainless steel unit thickness: 2mm.
- Rounded corners and edges for improved safety.
- Smooth surface for easy cleaning.
- Suitable for prisons, police stations, etc.
- WC pan is completely welded to washbasin, no screws: makes cleaning easier and prevents concealment of objects.
- Available with WC pan on the right hand side, left hand side or central to the unit.
- Washbasin equipped with time flow tap: stainless steel tamperproof push-button and anti-blocking system, 7-second time flow, M $\frac{1}{2}$ ".
- WC equipped with time flow flush valve, 7-second time flow, M $\frac{3}{4}$ ".
- Water inlet: washbasin M $\frac{1}{2}$ ", WC M $\frac{3}{4}$ ".
- Recessed horizontal water outlet:  $\varnothing$  100mm.
- Supplied with washbasin trap.
- Easy to install: only one water outlet for both washbasin and WC, water inlet and outlet already connected.
- Weight: 36kg.



160300



160500

KOMPACT combi - Hung WC - Wall-mounted installation with access panel		
Polished satin 304 stainless steel - Right hand WC pan	⌚	<b>160300</b>
Polished satin 304 stainless steel - Left hand WC pan	⌚	<b>160400</b>
Polished satin 304 stainless steel - Central WC pan	⌚	<b>160500</b>

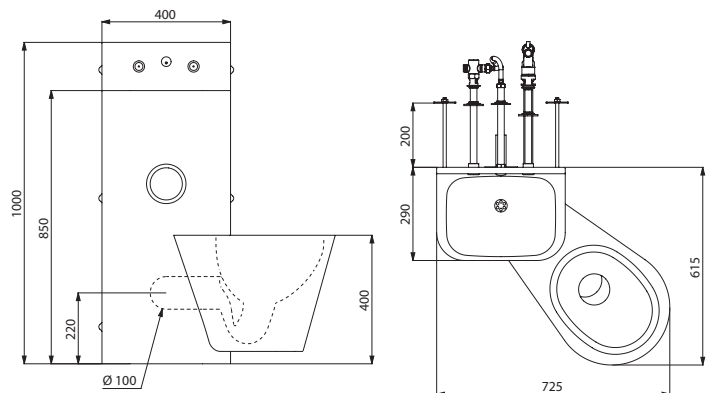
⌚ : dispatch within 4 weeks    📦 : stock item

**KOMPACT TC washbasin and hung WC combination**

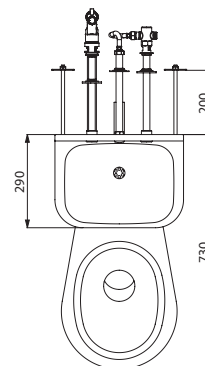
Cross wall installation for service ducts



- Combination unit: washbasin and hung WC pan with recessed toilet roll holder.
- Service duct installation (cross wall).
- Bacteriostatic 304 stainless steel.
- Stainless steel unit thickness: 2mm.
- Rounded corners and edges for improved safety.
- Smooth surface for easy cleaning.
- Suitable for prisons, police stations, etc.
- WC pan is completely welded to washbasin, no screws: makes cleaning easier and prevents concealment of objects.
- Available with WC pan on the right hand side, left hand side or central to the unit.
- Washbasin equipped with time flow tap: stainless steel tamperproof push-button and anti-blocking system, 7-second time flow, M $\frac{1}{2}$ ".
- WC equipped with time flow flush valve, 7-second time flow, M $\frac{3}{4}$ ".
- Water inlet: washbasin M $\frac{1}{2}$ ", WC M $\frac{3}{4}$ ".
- Recessed horizontal water outlet:  $\varnothing$  100mm.
- 200mm threaded rod can be cut to size (other lengths available on request).
- Easy to install: only one water outlet for both washbasin and WC, water inlet and outlet already connected.
- Weight: 30kg.



166300



166500

KOMPACT TC combi - Hung WC - Service duct installation		
Polished satin 304 stainless steel - Right hand WC pan		<b>166300</b>
Polished satin 304 stainless steel - Left hand WC pan		<b>166400</b>
Polished satin 304 stainless steel - Central WC pan		<b>166500</b>

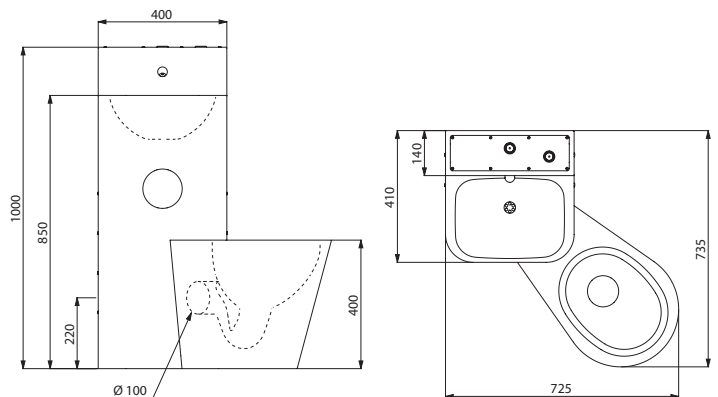
: dispatch within 4 weeks    : stock item

## KOMPACT washbasin and floor-standing WC combination

Wall-mounted installation with access panel



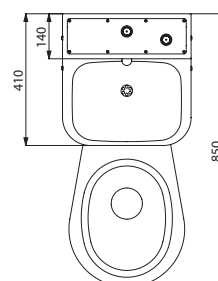
- Combination unit: washbasin and floor-standing WC pan with recessed toilet roll holder.
- Wall-mounted installation with 3 access panels, 2 on the sides and 1 on the top, with theft prevention TORX security screws.
- Bacteriostatic 304 stainless steel.
- Stainless steel unit thickness: 2mm.
- Rounded corners and edges for improved safety.
- Smooth surface for easy cleaning.
- Suitable for prisons, police stations, etc.
- WC pan is completely welded to washbasin, no screws: makes cleaning easier and prevents concealment of objects.
- Available with WC pan on the right hand side, left hand side or central to the unit.
- Washbasin equipped with time flow tap: stainless steel tamperproof push-button and anti-blocking system, 7-second time flow, M $\frac{1}{2}$ ".
- Available with 2 buttons cold water/mixed water.
- WC equipped with time flow flush valve, 7-second time flow, M $\frac{3}{4}$ ".
- Water inlet: washbasin M $\frac{1}{2}$ ", WC M $\frac{3}{4}$ ".
- Recessed horizontal water outlet:  $\varnothing$  100mm.
- Supplied with washbasin trap.
- Easy to install: only one water outlet for both washbasin and WC, water inlet and outlet already connected.
- Weight: 36kg.



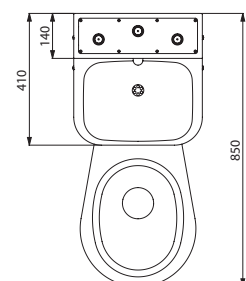
160600

<b>KOMPACT combi - Floor-standing WC</b>		
<b>Wall-mounted installation with access panel</b>		
Polished satin 304 stainless steel - Right hand WC pan		<b>160600</b>
Polished satin 304 stainless steel - Left hand WC pan		<b>160700</b>
Polished satin 304 stainless steel - Central WC pan		<b>160800</b>
<b>Combi KOMPACT - Floor-standing WC</b>		
<b>Wall-mounted installation with access panel</b>		
<b>With 2 buttons cold water/mixed water</b>		
Polished satin 304 stainless steel - Right hand WC pan		<b>161600</b>
Polished satin 304 stainless steel - Left hand WC pan		<b>161700</b>
Polished satin 304 stainless steel - Central WC pan		<b>161800</b>

: dispatch within 4 weeks    : stock item



160800



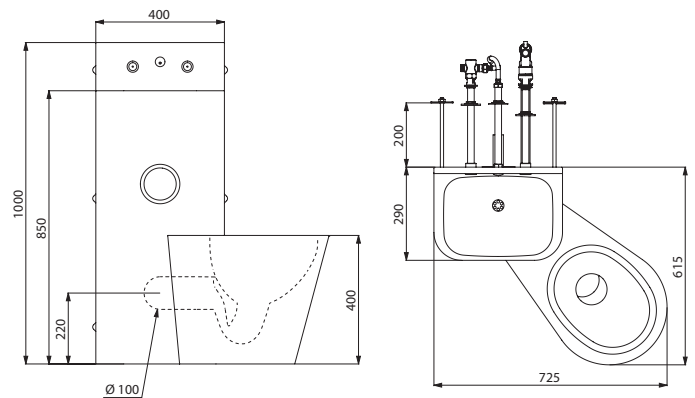
161800

**KOMPACT TC washbasin and floor-standing WC combination**

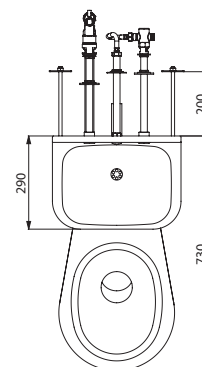
Cross wall installation for service ducts



- Combination unit: washbasin and floor-standing WC pan with recessed toilet roll holder.
- Service duct installation (cross wall).
- Bacteriostatic 304 stainless steel.
- Stainless steel unit thickness: 2mm.
- Rounded corners and edges for improved safety.
- Smooth surface for easy cleaning.
- Suitable for prisons, police stations, etc.
- WC pan is completely welded to washbasin, no screws: makes cleaning easier and prevents concealment of objects.
- Available with WC pan on the right hand side, left hand side or central to the unit.
- Washbasin equipped with time flow tap: stainless steel tamperproof push-button and anti-blocking system, 7-second time flow, M $\frac{1}{2}$ ".
- WC equipped with time flow flush valve, 7-second time flow, M $\frac{3}{4}$ ".
- Water inlet: washbasin M $\frac{1}{2}$ ", WC M $\frac{3}{4}$ ".
- Recessed horizontal water outlet:  $\varnothing$  100mm.
- 200mm threaded rod can be cut to size (other lengths available on request).
- Easy to install: only one water outlet for both washbasin and WC, water inlet and outlet already connected.
- Weight: 30kg.



166600



166800

KOMPACT TC combi - Floor-standing WC - Service duct installation		
Polished satin 304 stainless steel - Right hand WC pan		<b>166600</b>
Polished satin 304 stainless steel - Left hand WC pan		<b>166700</b>
Polished satin 304 stainless steel - Central WC pan		<b>166800</b>

: dispatch within 4 weeks    : stock item

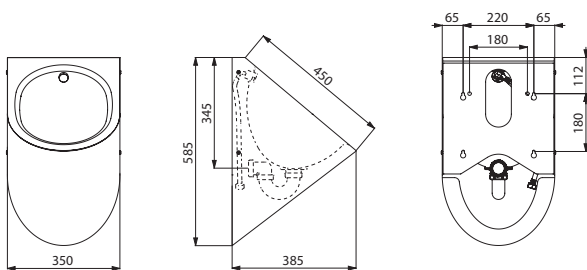
## DELTA HD urinal

Rimless



- Wall-hung individual rimless urinal.
- Compatible with all standard frame systems on the market.
- Bacteriostatic 304 stainless steel. Stainless steel thickness: 1.2mm.
- Rear (recessed) water inlet.
- Vandal-resistant: recessed waste outlet, concealed trap, and reinforced mounting frame.
- Quick and easy to install from the front thanks to a stainless steel mounting frame.
- Supplied with 1½" P trap, fixing elements and theft prevention TORX security screws.
- CE marked.
- Complies with European standard EN 13407 for 2L flush.
- Weight: 7.5kg.

For urinal valves see the DELABIE catalogue "Water Controls for Public and Commercial Places" (DOC 609INT).



164770

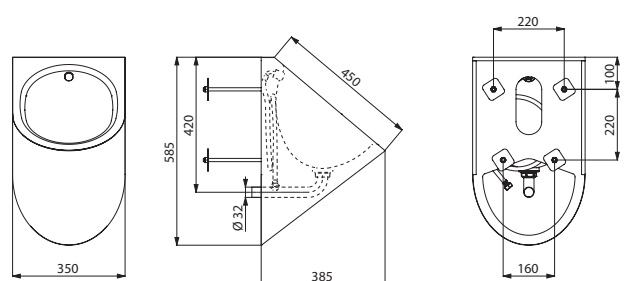
## DELTA TC urinal

Rimless



- Wall-hung individual rimless urinal, cross wall installation for service ducts.
- Bacteriostatic 304 stainless steel. Stainless steel thickness: 1.2mm.
- Rear (recessed) water inlet.
- Vandal-resistant: recessed waste outlet, concealed trap.
- 200mm threaded rod can be cut to size (other lengths available on request).
- Supplied with fixing elements.
- CE marked.
- Complies with European standard EN 13407 for 2L flush.
- Weight: 8kg.

For urinals valves see the DELABIE catalogue "Water Controls for Public and Commercial Places" (DOC 609INT).



160770

Wall-hung DELTA HD urinal  
Recessed water inlet - Polished satin 304 stainless steel  164770

 : dispatch within 4 weeks  : stock item

Wall-hung DELTA TC urinal  
Recessed water inlet - Polished satin 304 stainless steel  160770

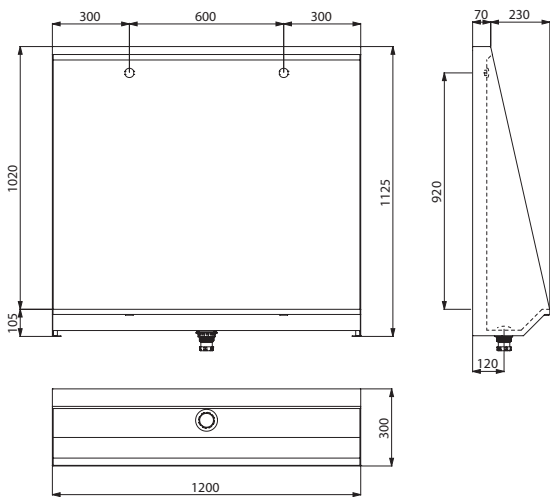
**Lurinal**

Recessed - 1 - 3 services



- Trough urinal for recessing in the floor.
- Bacteriostatic 304 stainless steel. Stainless steel thickness: 1.2mm.
- Rear water inlet. Central drainage.
- Supplied with 1 stainless steel rinser and 1 flexible hose for the 600mm model; 2 stainless steel rinsers and 2 flexible hoses for the 1,200mm model; 3 stainless steel rinsers and 3 flexibles hoses for the 1,800mm model.
- Water saving: optimal rinsing with 0.1 L/sec. per service i.e. 0.3L per use.
- Waste outlet 1½". Supplied with waste and integrated trap (ref. 785000).
- Weight: 16.8kg for the 600mm model; 25.4kg for the 1,200mm model; 34kg for the 1,800mm model.

For urinal valves see the DELABIE catalogue "Water Controls for Public and Commercial Places" (DOC 609INT).



130210

Lurinal - Rear water inlet		
Polished satin 304 stainless steel - 1 service - L. 600mm		<b>130200</b>
Polished satin 304 stainless steel - 2 services - L. 1,200mm		<b>130210</b>
Polished satin 304 stainless steel - 3 services - L. 1,800mm		<b>130220</b>

**Available on request:** other lengths (600mm - 2,400mm)

: dispatch within 4 weeks    : stock item





# Professional equipment

SURGICAL SCRUB  
UP TROUGHS  
**81**



DISPOSAL SINKS  
CLEANER'S SINKS  
**84**



DRINKING  
FOUNTAINS  
**87**



PROFESSIONAL  
HAND WASHBASINS  
**88**



ACCESSIBILITY  
SOLUTIONS  
**90**

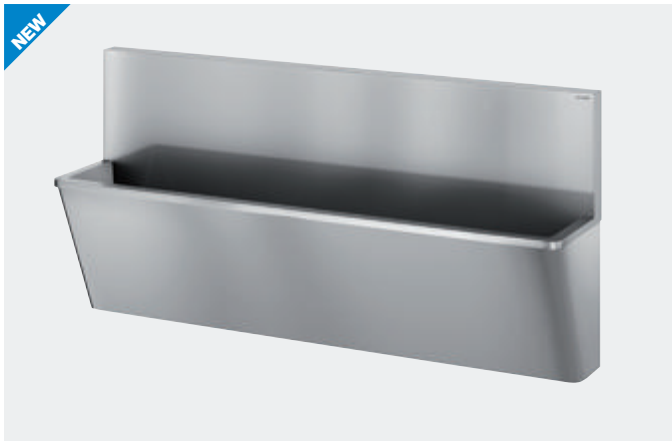




Surgical scrub up trough with high upstand - "Hygiene +" design **187000** - TEMPOMATIC electronic tap with BIOCLIP spout **20801T2** - Paper towel dispenser **6607D**

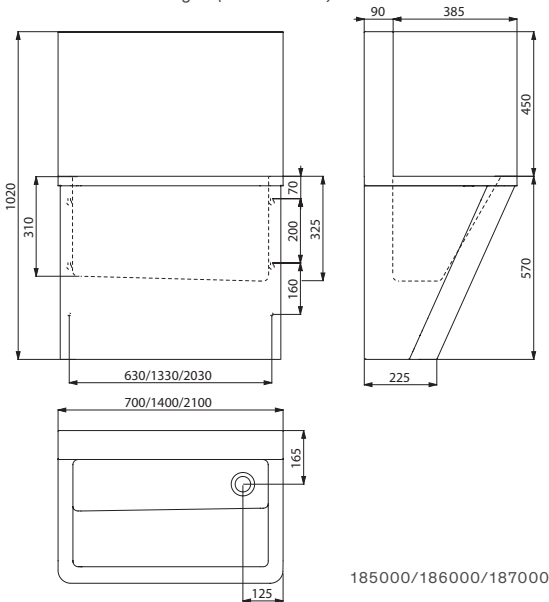
**Surgical scrub up trough**

High upstand - "Hygiene +" design



- Wall-mounted surgical scrub up trough with 450mm upstand.
- Bacteriostatic 304 stainless steel. Stainless steel thickness: 1.2mm.
- Smooth surface and rounded inside edges for easy cleaning.
- "Hygiene +" design: reduces niches where bacteria can develop, concealed trap, easy to clean.
- Drainage on the right. Without overflow. Supplied with fixing elements.
- Weight: 20.3kg for the 700mm model; 34.4kg for the 1,400mm model; 48.5kg for the 2,100mm model.

For taps see the DELABIE "Water Controls for Healthcare Facilities and Retirement Homes" catalogue (DOC 900INT).

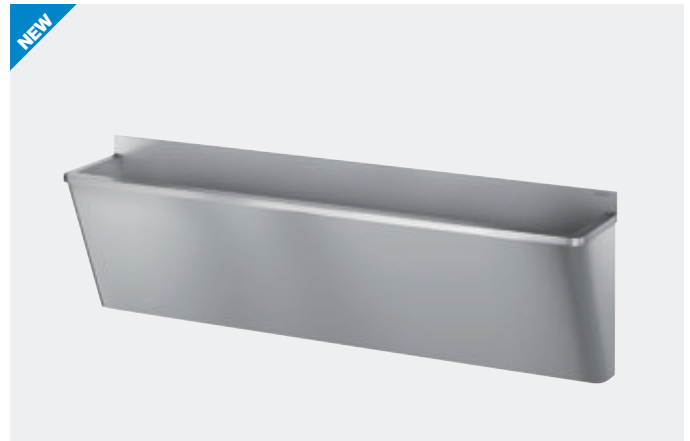


Surgical scrub up trough with high upstand - Without tap hole		
Polished satin 304 stainless steel - L. 700 - 1 service	⌚	<b>185000</b>
Polished satin 304 stainless steel - L. 1,400 - 2 services	⌚	<b>186000</b>
Polished satin 304 stainless steel - L. 2,100 - 3 services	⌚	<b>187000</b>
Surgical scrub up trough with high upstand With 1 single tap hole Ø 22 per service		
Polished satin 304 stainless steel - L. 700 - 1 service	⌚	<b>185100</b>
Polished satin 304 stainless steel - L. 1,400 - 2 services	⌚	<b>186100</b>
Polished satin 304 stainless steel - L. 2,100 - 3 services	⌚	<b>187100</b>
Surgical scrub up trough with high upstand With 1 twin tap hole Ø 22 with 150mm centres per service		
Polished satin 304 stainless steel - L. 700 - 1 service	⌚	<b>185200</b>
Polished satin 304 stainless steel - L. 1,400 - 2 services	⌚	<b>186200</b>
Polished satin 304 stainless steel - L. 2,100 - 3 services	⌚	<b>187200</b>

Available on request: other lengths (700mm - 2,400mm)

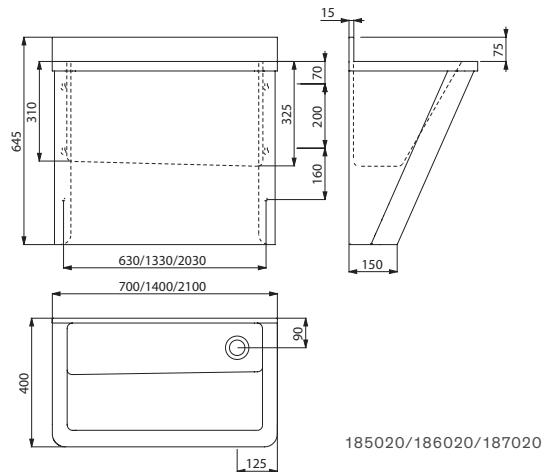
**Surgical scrub up trough**

Low upstand - "Hygiene +" design



- Wall-mounted surgical scrub up trough with 75mm upstand.
- Complies with the former HTM64 guidance and new Health Building Note 00-10: Part C - Sanitary Assemblies (ref. 18502015, 18602015 and 18702015).
- Bacteriostatic 304 stainless steel. Stainless steel thickness: 1.2mm.
- Smooth surface and rounded inside edges for easy cleaning.
- "Hygiene +" design: reduces niches where bacteria can develop, concealed trap, easy to clean.
- Drainage on the right. Without overflow. Supplied with fixing elements.
- Weight: 15.6kg for the 700mm model; 17.2kg for the 800mm model; 26.6kg for the 1400mm model; 29.8kg for the 1,600mm model; 37.6kg for the 2100mm model; 42.5kg for the 2,400mm model.

For taps see the DELABIE "Water Controls for Healthcare Facilities and Retirement Homes" catalogue (DOC 900INT).



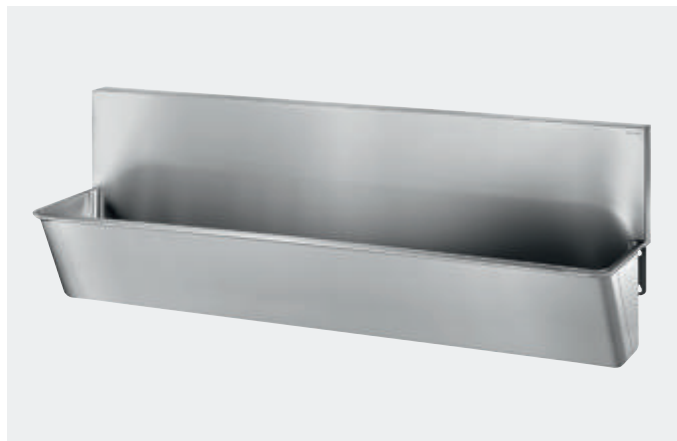
Surgical scrub up trough with low upstand - Without tap hole		
Polished satin 304 stainless steel - L. 700 - 1 service	⌚	<b>185020</b>
Polished satin 304 stainless steel - L. 1,400 - 2 services	⌚	<b>186020</b>
Polished satin 304 stainless steel - L. 2,100 - 3 services	⌚	<b>187020</b>
Surgical scrub up trough with low upstand - Without tap hole (HTM64)		
Polished satin 304 stainless steel - L. 800 - 1 service	⌚	<b>18502015</b>
Polished satin 304 stainless steel - L. 1,600 - 2 services	⌚	<b>18602015</b>
Polished satin 304 stainless steel - L. 2,400 - 3 services	⌚	<b>18702015</b>

Available on request: other lengths (700mm - 2,400mm)

⌚ : dispatch within 4 weeks    📦 : stock item

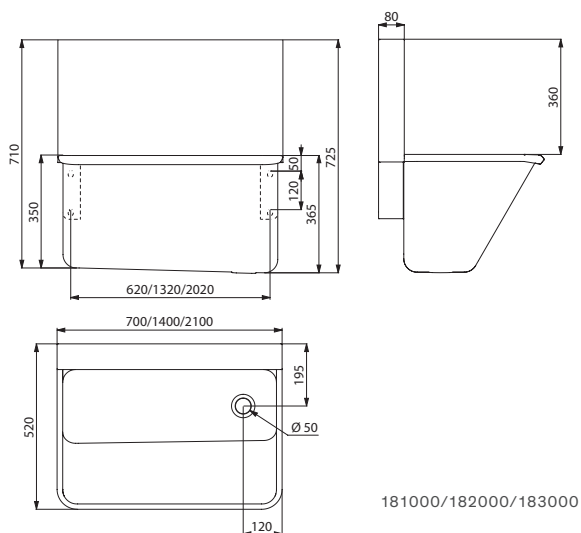
## Surgical scrub up trough

High upstand



- Wall-mounted surgical scrub up trough with 360mm upstand.
- Bacteriostatic 304 stainless steel. Stainless steel thickness: 1.2mm.
- Smooth surface and rounded inside edges for easy cleaning.
- Drainage on the right. Without overflow. Supplied with fixing elements.
- Weight: 13.8kg for the 700mm model; 24.2kg for the 1,400mm model; 34.9kg for the 2,100mm model.

For taps see the DELABIE "Water Controls for Healthcare Facilities and Retirement Homes" catalogue (DOC 900INT).



Surgical scrub up trough with high upstand – Without tap hole		
Polished satin 304 stainless steel - L. 700mm - 1 service	⌚	<b>181000</b>
Polished satin 304 stainless steel - L. 1,400mm - 2 services	⌚	<b>182000</b>
Polished satin 304 stainless steel - L. 2,100 mm - 3 services	⌚	<b>183000</b>
Surgical scrub up trough with high upstand With 1 single tap hole Ø 22 per service		
Polished satin 304 stainless steel - L. 700mm - 1 service	⌚	<b>181100</b>
Polished satin 304 stainless steel - L. 1,400mm - 2 services	⌚	<b>182100</b>
Polished satin 304 stainless steel - L. 2,100 mm - 3 services	⌚	<b>183100</b>
Surgical scrub up trough with high upstand With 1 twin tap hole Ø 22 with 150mm centres per service		
Polished satin 304 stainless steel - L. 700mm - 1 service	⌚	<b>181200</b>
Polished satin 304 stainless steel - L. 1,400mm - 2 services	⌚	<b>182200</b>
Polished satin 304 stainless steel - L. 2,100 mm - 3 services	⌚	<b>183200</b>

Available on request: other lengths (700mm - 2,400mm)

⌚ : dispatch within 4 weeks    📦 : stock item

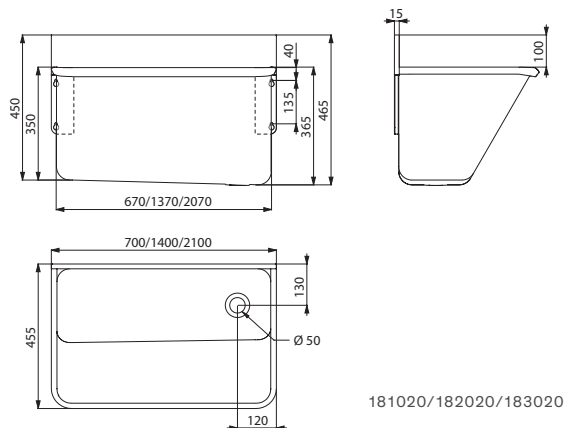
## Surgical scrub up trough

Low upstand



- Wall-mounted surgical scrub up trough with 100mm upstand.
- Bacteriostatic 304 stainless steel. Stainless steel thickness: 1.2mm.
- Smooth surface and rounded inside edges for easy cleaning.
- Drainage on the right. Without overflow. Supplied with fixing elements.
- Weight: 10.6kg for the 700mm model; 18.8kg for the 1,400mm model; 27kg for the 2,100mm model.

For taps see the DELABIE "Water Controls for Healthcare Facilities and Retirement Homes" catalogue (DOC 900INT).



Surgical scrub up trough with low upstand - Without tap hole		
Polished satin 304 stainless steel - L. 700mm - 1 service	⌚	<b>181020</b>
Polished satin 304 stainless steel - L. 1,400mm - 2 services	⌚	<b>182020</b>
Polished satin 304 stainless steel - L. 2,100 mm - 3 services	⌚	<b>183020</b>

Available on request: other lengths (700mm - 2,400mm)

**Related products**

**Electronic tap with removable BIOCLIP spout**



- Infection control: no manual contact, anti-bacterial duty flush, base and spout with smooth interiors.
- 230/12V mains supply with independent IP65 electronic control unit.
- Supplied with a removable, disposable spout made from recyclable Hostaform® with star-shaped flow straightener. Can be replaced with a stainless steel spout or a BIOFIL filter spout.
- Thermal shocks are possible.

Electronic tap with removable BIOCLIP spout  20801T2

**Sequential thermostatic mixer with removable BIOCLIP spout**



- Infection control: body and spout with smooth interiors and low water volume, no manual contact thanks to Hygiene control lever.
- SECURITHERM anti-scalding failsafe: immediate shut-off if cold water supply fails; Securitouch thermal insulation prevents burns.
- Supplied with a removable, disposable spout made from recyclable Hostaform® with star-shaped flow straightener. Can be replaced with a stainless steel spout or a BIOFIL filter spout.
- Thermal and chemical shocks are possible.

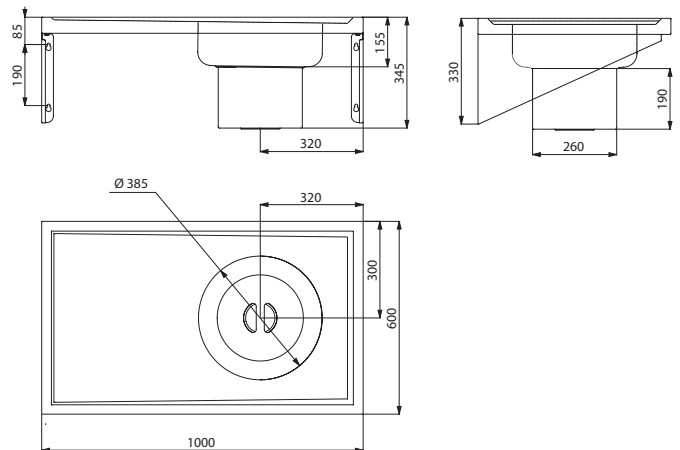
Sequential thermostatic mixer with removable BIOCLIP spout  H9610S

**Plaster sink**  
Wall-mounted



- Wall-mounted plaster sink.
- Bacteriostatic 304 stainless steel.
- Stainless steel thickness: 1.5mm.
- Smooth surface and flat edges for easy cleaning.
- Suitable for hospitals, other healthcare establishments and leisure centres.
- Supplied with removable plaster basket with lid to filter plaster debris.
- Can be installed in 2 ways: bowl on the right or bowl on the left.
- Waste outlet 1½".
- Supplied with fixing elements.
- Weight: 17kg.

For taps see the DELABIE "Water Controls for Healthcare Facilities and Retirement Homes" catalogue (DOC 900INT).



Wall-mounted plaster sink  180130  
Polished satin 304 stainless steel

 : dispatch within 4 weeks  : stock item

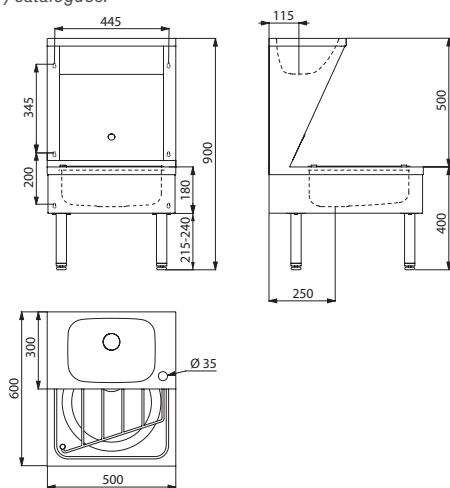
**Janitorial unit**

Floor-standing



- Floor-standing janitorial unit.
- Complies with the former HTM64 guidance and new Health Building Note 00-10: Part C - Sanitary Assemblies.
- Bacteriostatic 304 stainless steel. Stainless steel thickness: 1mm.
- Smooth surface for easy cleaning.
- Adjustable feet height up to 25mm. Hinged stainless steel bucket grid.
- Supplied with 1¼" waste for the basin and 1½" waste for the disposal sink.
- Without overflow.
- We recommend: ref. G66452.
- Weight: 22kg.

For taps see the DELABIE "Water Controls for Healthcare Facilities and Retirement Homes" (DOC 900INT) and "Water Controls for Professional Catering" (DOC 200INT) catalogues.



180140

**Floor-standing janitorial unit with right tap hole Ø 35mm**  
 Polished satin 304 stainless steel  **180140**

 : dispatch within 4 weeks  : stock item

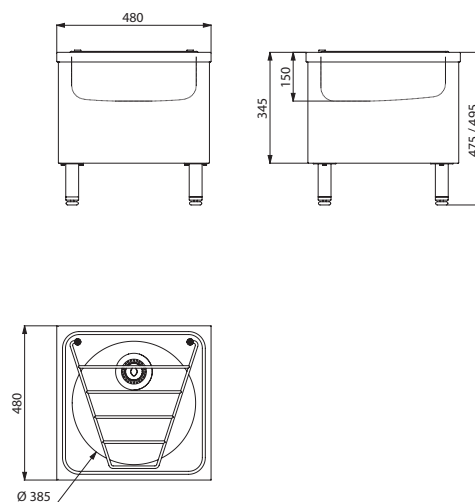
**Disposal sink**

Floor-standing




- Floor-standing disposal sink.
- Bacteriostatic 304 stainless steel. Stainless steel thickness: 1mm.
- One-piece pressed bowl, seam-free.
- Smooth surface for easy cleaning.
- Adjustable feet height up to 40mm.
- Supplied with 1½" waste. Without overflow.
- Hinged stainless steel bucket grid.
- Weight: 10.6kg.

We recommend a wall-mounted tap: see the DELABIE "Water Controls for Healthcare Facilities and Retirement Homes" (DOC 900INT) and "Water Controls for Professional Catering" (DOC 200INT) catalogues.



180150

**Floor-standing disposal sink**  
 Polished satin 304 stainless steel  **180150**

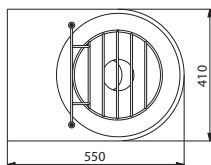
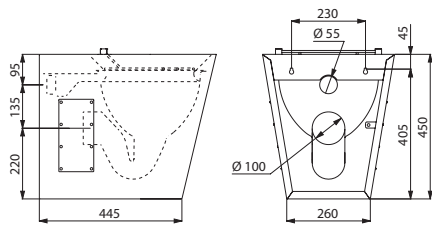
**XL P disposal sink**

Floor-standing



- Floor-standing disposal sink.
- Bacteriostatic 304 stainless steel.
- Stainless steel thickness: 1.5mm.
- Smooth surface for easy cleaning.
- Concealed perimetral flushing system.
- Horizontal or vertical water inlet: Ø 55mm.
- Horizontal or vertical water outlet: Ø 100mm. Supplied with PVC pipe.
- Concealed drainage: shrouded sink.
- Quick and easy to install: 2 access panels with theft prevention TORX security screws.
- Hinged stainless steel bucket grid.
- Weight: 16kg.

For flush valves see the DELABIE catalogue "Water Controls for Public and Commercial Places" (DOC 609INT).



182060

**Floor-standing XL P disposal sink - Polished satin 304 stainless steel**

Horizontal water inlet		<b>182060</b>
Vertical water inlet		<b>182070</b>

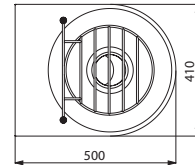
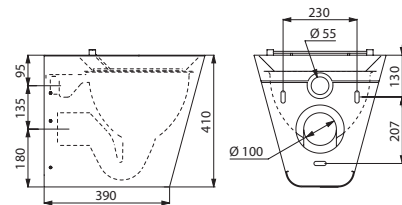
**XL S disposal sink**

Wall-mounted



- Wall-mounted disposal sink.
- Bacteriostatic 304 stainless steel.
- Stainless steel thickness: 1.5mm.
- Smooth surface for easy cleaning.
- Concealed perimetral flushing system.
- Horizontal water inlet: Ø 55mm.
- Recessed horizontal waste outlet: Ø 100mm.
- Concealed drainage: shrouded sink.
- Quick and easy to install from the front thanks to a stainless steel mounting frame.
- Hinged stainless steel bucket grid.
- Supplied with fixing elements.
- Weight: 15kg.

For flush valves see the DELABIE catalogue "Water Controls for Public and Commercial Places" (DOC 609INT).



182160

<b>Wall-mounted XL S disposal sink</b>		<b>182160</b>
<b>Polished satin 304 stainless steel - Horizontal water inlet</b>		

: dispatch within 4 weeks : stock item

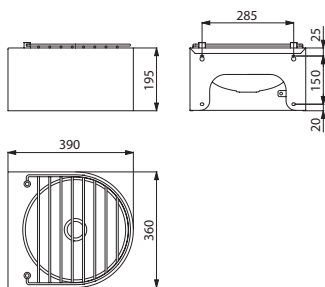
**Disposal sink**

Wall-mounted



- Wall-mounted disposal sink.
- Bacteriostatic 304 stainless steel.
- Stainless steel thickness: 1.2mm.
- Smooth surface for easy cleaning.
- Waste outlet 1 1/4". Waste not included.
- Hinged stainless steel bucket grid.
- Without overflow.
- Supplied with fixing elements.
- Weight: 5.1kg.

We recommend a wall-mounted tap: see the DELABIE "Water Controls for Healthcare Facilities and Retirement Homes" (DOC 900INT) and "Water Controls for Professional Catering" (DOC 200INT) catalogues.



180170

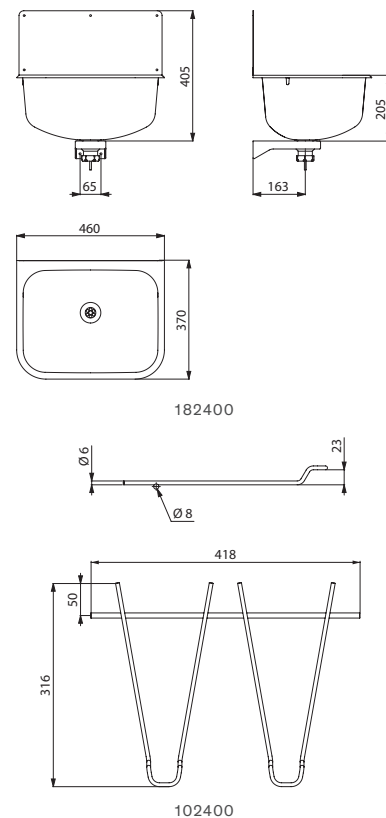
**Cleaners' sink**

Wall-mounted



- Wall-mounted cleaners' sink with splashback.
- Bacteriostatic 304 stainless steel.
- Stainless steel thickness: 0.9mm.
- Seam-free, pressed bowl.
- Deep sink.
- Smooth surface. Rounded edges prevent injury.
- Supplied with 1 1/2" waste. Without overflow.
- Supplied with fixing elements and splashback.
- Option to add a stainless steel hinged, lift-up grid.
- Weight: 4.6kg.

For taps see the DELABIE "Water Controls for Healthcare Facilities and Retirement Homes" (DOC 900INT) and "Water Controls for Professional Catering" catalogues (DOC 200INT).




182400

102400

Wall-mtd disposal sink - Polished satin 304 stainless steel  **180170**

 : dispatch within 4 weeks  : stock item

**Wall-mounted cleaners' sink**

Polished satin 304 stainless steel		<b>182400</b>
Stainless steel hinged grid for model 182400		<b>102400</b>

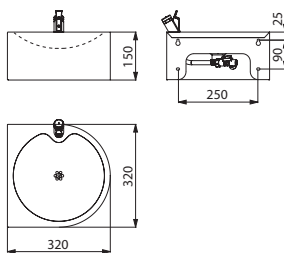


### SD drinking fountain

Wall-mounted



- Wall-mounted drinking fountain.
- Bacteriostatic 304 stainless steel.
- Stainless steel thickness: 1.2mm.
- Rounded edges prevent injury.
- Supplied with a WRAS approved bubbler tap: chrome-plated, instant shut-off and adjustable flow rate, inlet M $\frac{3}{8}$ ".
- Flat perforated waste, without screws: easy to clean and vandal-resistant.
- Recessed horizontal water outlet. Waste outlet 1 $\frac{1}{4}$ ".
- Supplied with fixing elements.
- Weight: 2.4kg.



180800

Wall-mounted SD drinking fountain with integrated bubbler tap  
Polished satin 304 stainless steel



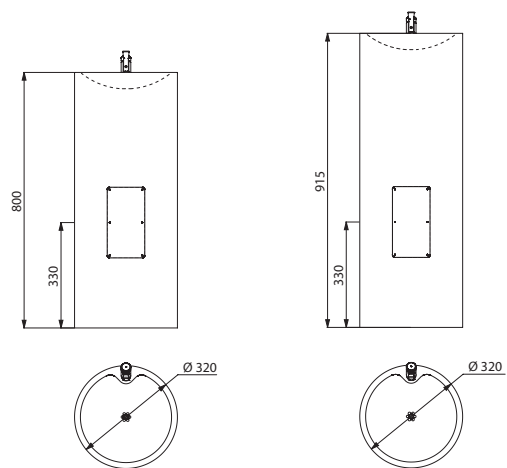
180800

### ILHA and ILHA JR drinking fountains

Floor-standing



- Floor-standing drinking fountain.
- Bacteriostatic 304 stainless steel. Stainless steel thickness: 0.8mm.
- Available in two different heights: 915mm and 800mm for children.
- Supplied with a WRAS approved bubbler tap: chrome-plated, instant shut-off and adjustable flow rate, inlet M $\frac{3}{8}$ ".
- Flat perforated waste, without screws: easy to clean and vandal-resistant.
- Recessed vertical water outlet. Waste outlet 1 $\frac{1}{4}$ ".
- Supplied with fixing elements.
- Weight: 9kg for the 800mm model; 9.6kg for the 915mm model.



180110

180100

Floor-standing ILHA and ILHA JR drinking fountains with integrated bubbler tap

Polished satin 304 stainless steel - Height 915mm



180100

Polished satin 304 stainless steel - Height 800mm



180110

: dispatch within 4 weeks

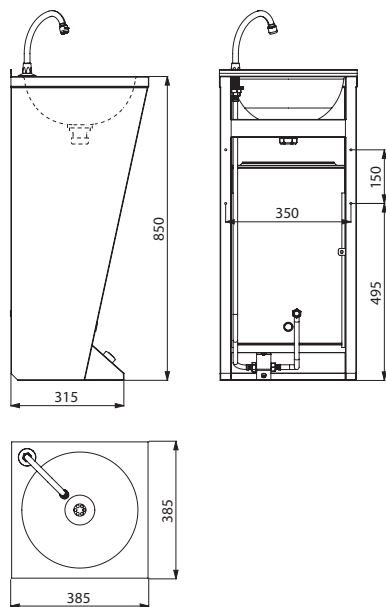
: stock item

**SXL hand washbasin**

Foot-operated



- Floor-standing, foot-operated hand washbasin.
- Can be fixed to the wall and/or the floor.
- Bacteriostatic 304 stainless steel.
- Stainless steel thickness: 0.8mm.
- Supplied with swan neck spout and time flow tap with 7-second time flow.
- Easy to maintain: access panel at the front.
- Supplied with 1¼" waste.
- Without overflow.
- Supplied with fixing elements.
- CE marked. Complies with European standard EN 14688.
- Weight: 10kg.



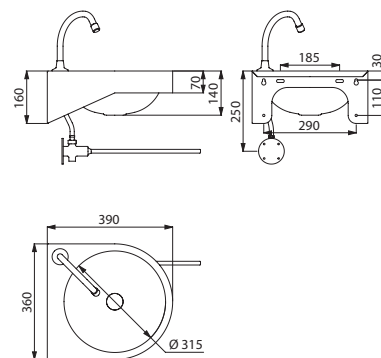
180300

**GENOU hand washbasin**

Knee-operated



- Wall-mounted, knee-operated hand washbasin.
- Bacteriostatic 304 stainless steel.
- Stainless steel thickness: 1.2mm.
- Rounded edges prevent injury.
- Supplied with swan neck spout and time flow tap with 7-second time flow.
- Supplied with 1¼" waste.
- Without overflow.
- Supplied with fixing elements.
- CE marked. Complies with European standard EN 14688.
- Weight: 5kg.



180330

Floor-standing SXL hand washbasin with integrated tap  
Polished satin 304 stainless steel  **180300**

 : dispatch within 4 weeks  : stock item

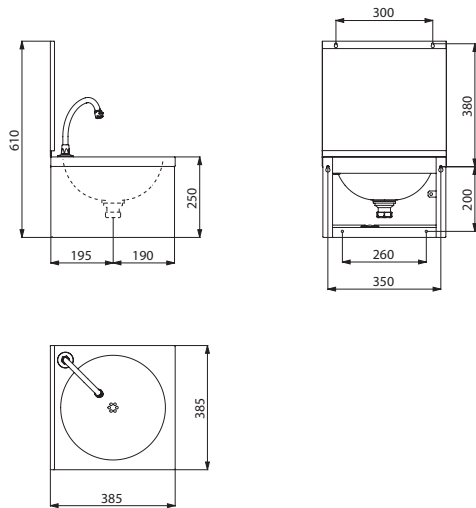
Wall-mounted GENOU hand washbasin with integrated tap  
Polished satin 304 stainless steel  **180330**

### SXS mechanical hand washbasin

Knee-operated



- Wall-mounted, knee-operated hand washbasin.
- Bacteriostatic 304 stainless steel.
- Stainless steel thickness: 0.8mm.
- Rounded edges prevent injury.
- Available with or without splashback.
- Bare model (without tap) or complete model (with tap and pre-mixer).
- Complete model consists of: swan neck spout, soft-touch time flow tap with 7-second time flow and a pre-mixer with non-return valves.
- Flat perforated waste, without screws: easy to clean and vandal-resistant.
- Water savings: flow rate pre-set at 3 lpm.
- Maximum hygiene: no manual contact with tap.
- Without overflow.
- Supplied with fixing elements.
- CE marked. Complies with European standard EN 14688.
- Weight: 4.3kg.



182320

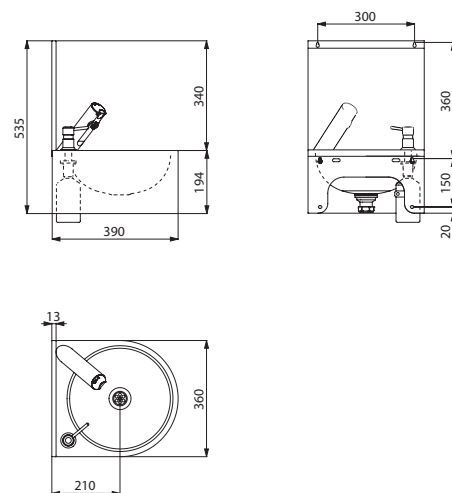
SXS mechanical hand washbasin without tap		
Hand washbasin alone, without splashback		<b>181310</b>
Hand washbasin alone, with splashback		<b>181320</b>
SXS mechanical hand washbasin with tap and pre-mixer		
Complete hand washbasin without splashback		<b>182310</b>
Complete hand washbasin with splashback		<b>182320</b>
Soap dispenser		<b>374001</b>

### SXS electronic hand washbasin

Electronic control



- Wall-mounted hand washbasin with electronic control.
- Bacteriostatic 304 stainless steel.
- Stainless steel thickness: 1.2mm.
- Rounded edges prevent injury.
- Available with or without splashback.
- 184310 and 184320 references are supplied with an electronic mixer with integrated battery and solenoid valve and a chrome-plated brass soap dispenser.
- 18431015 and 18432015 references are supplied with a WRAS approved electronic tap with integrated battery and solenoid valve, a TMV3 and WRAS approved thermostatic mixing valve and a chrome-plated brass soap dispenser.
- Supplied with 1 1/4" waste. Without overflow.
- Water savings: flow rate pre-set at 3 lpm.
- Maximum hygiene: no manual contact with tap, reduced-stagnation solenoid valve, duty flush prevents bacterial development.
- Supplied with fixing elements.
- CE marked. Complies with European standard EN 14688.
- Weight: 4.1kg.



184320

SXS electronic hand washbasin with tap and soap dispenser		
Complete hand washbasin without splashback		<b>184310</b>
Complete hand washbasin with splashback		<b>184320</b>
SXS electronic hand washbasin with tap and soap dispenser (WRAS)		
Complete hand washbasin without splashback		<b>18431015</b>
Complete hand washbasin with splashback		<b>18432015</b>

: dispatch within 4 weeks : stock item

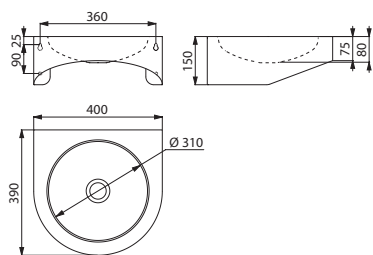
**PMR XS hand washbasin**

Wall-mounted



- Wall-mounted hand washbasin.
- Basin internal diameter: 310mm.
- Bacteriostatic 304 stainless steel.
- Stainless steel thickness: 1.2mm.
- Rounded edges prevent injury.
- Supplied with 1¼" waste.
- Without overflow.
- Supplied with fixing elements.
- CE marked. Complies with European standard EN 14688.
- Weight: 3.9kg.

For taps and accessories see the DELABIE "Water Controls for Healthcare Facilities and Retirement Homes" (DOC 900INT) and "Accessibility and Accessories" (DOC 950INT) catalogues.



120400

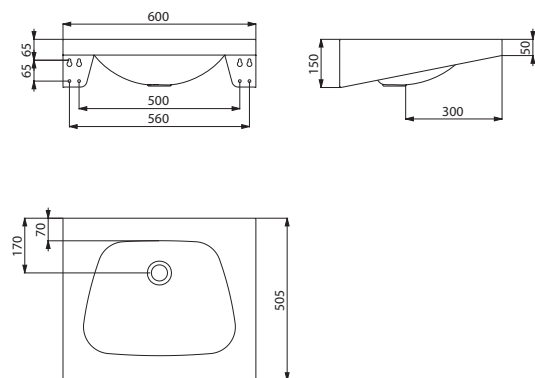
**TRAPEZ washbasin**

Wall-mounted



- Wall-mounted washbasin, 600 × 505mm.
- Shallow washbasin.
- Bacteriostatic 304 stainless steel.
- Stainless steel thickness: 1.2mm.
- Rounded edges prevent injury.
- Supplied with 1¼" waste.
- Without overflow.
- Supplied with fixing elements.
- CE marked. Complies with European standard EN 14688.
- Weight: 5.5kg.

For taps and accessories see the DELABIE "Water Controls for Healthcare Facilities and Retirement Homes" (DOC 900INT) and "Accessibility and Accessories" (DOC 950INT) catalogues.



120270

<b>Wall-mounted PMR XS hand washbasin</b> Polished satin 304 stainless steel - Without tap hole		<b>120400</b>
--	--	---------------

: dispatch within 4 weeks    : stock item

<b>Wall-mounted TRAPEZ washbasin - Polished satin 304 stainless steel</b>		
Without tap hole		<b>120270</b>
With central tap hole Ø 35mm		<b>121270</b>

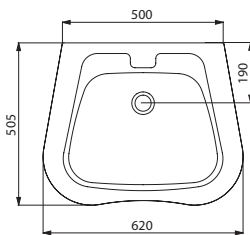
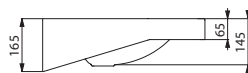
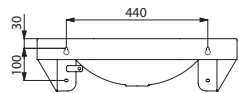
### FRAJU PMR washbasin

Wall-mounted



- Wall-mounted washbasin, 620 × 505mm.
- Shallow washbasin.
- Bacteriostatic 304 stainless steel.
- Stainless steel thickness: 1.2mm for the bowl and 1.5mm for surround.
- Rounded edges prevent injury.
- Supplied with 1¼" waste.
- Without overflow.
- Supplied with fixing elements.
- CE marked. Complies with European standard EN 14688.
- Weight: 5kg.

For taps and accessories see the DELABIE "Water Controls for Healthcare Facilities and Retirement Homes" (DOC 900INT) and "Accessibility and Accessories" (DOC 950INT) catalogues.



120440

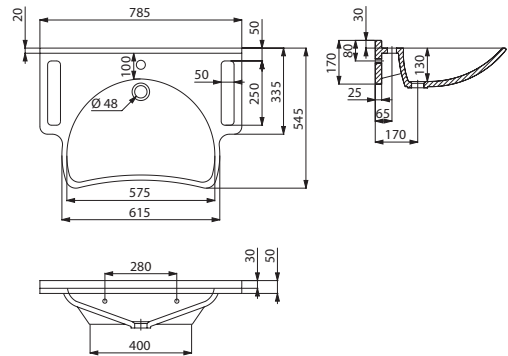
### MINERALCAST PMR washbasin

Wall-mounted



- Wall-mounted washbasin.
- With integral side grips which can be used as a support or a towel holder.
- MINERALCAST: composite material consisting of natural minerals and polyester resin.
- Shallow washbasin.
- Uniform, non-porous surface is easy to clean.
- One-piece cast washbasin, seam-free, for easy maintenance and better hygiene.
- Warm to the touch.
- Without overflow.
- Supplied with fixing elements.
- White, RAL 9016.
- Weight: 21.5kg.

For taps and accessories see the DELABIE "Water Controls for Healthcare Facilities and Retirement Homes" (DOC 900INT) and "Accessibility and Accessories" (DOC 950INT) catalogues.



132306

#### Wall-mounted FRAJU PMR washbasin - Polished satin 304 stainless steel

Without tap hole		120440
With central tap hole Ø 35mm		121440

Wall-mounted MINERALCAST PMR washbasin with central tap hole Ø 35mm		132306
---	--	--------

: dispatch within 4 weeks : stock item

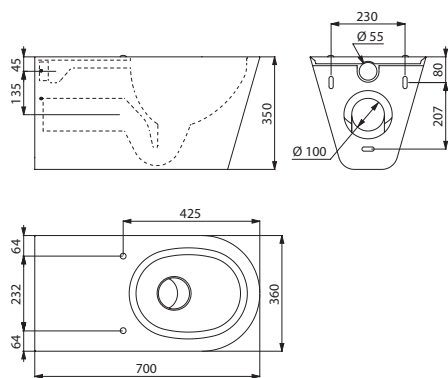
**700 S, 700 P and 700 S TC WC pans**

Wall-hung or floor-standing



- 700mm elongated pan for improved comfort.
- WC wall-hung model (700 S); floor-standing model (700 P) and WC wall-hung model for cross wall installation in service ducts (700 S TC).
- Bacteriostatic 304 stainless steel. Stainless steel thickness: 1.5mm.
- One-piece pressed WC bowl, seam-free for easy maintenance and better hygiene.
- WC bowl surface is polished with rounded edges for easy cleaning. Concealed perimetral flushing rim.
- Horizontal water inlet: Ø 55mm.
- Horizontal waste outlet: Ø 100mm.
- Water saving: works with 4L or more of water.
- CE marked. Complies with European standard EN 997 for 4L flush.
- Weight: 14.5kg for the 700 S model; 15kg for the 700 P model; 16.5kg for the 700 S TC model.

For flush valves and accessories see the DELABIE catalogues "Water Controls for Public and Commercial Places" (DOC 609INT) and "Accessibility and Accessories" (DOC 950INT) catalogues.



110710

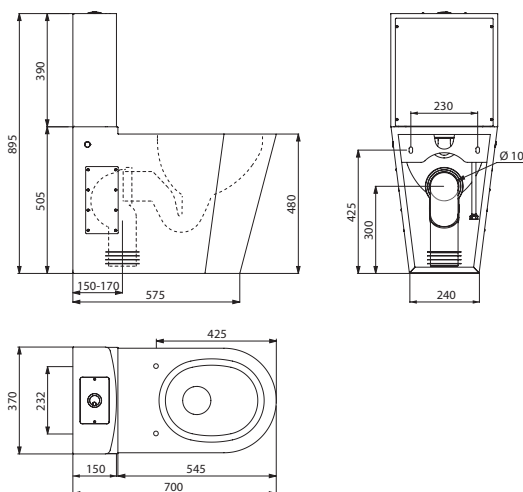
**MONOBLOCO 700 PMR WC pan**

With cistern



- Floor-standing WC pan with dual flush cistern 3L/6L.
- 700mm elongated pan for improved comfort.
- Bacteriostatic 304 stainless steel. Stainless steel thickness: 1.5mm.
- One-piece pressed WC bowl, seam-free for better hygiene.
- WC bowl surface is polished with rounded edges for easy cleaning.
- Concealed perimetral flushing rim. Water supply can be recessed from below or exposed from the side (right/left).
- Recessed horizontal or vertical waste outlet. Supplied with PVC pipe.
- Pre-drilled holes for fixing the toilet seat. Supplied with stainless steel blanking caps when installed without toilet seat.
- Quick to install: 2 access panels with theft prevention TORX security screws.
- CE marked. Complies with European standard EN 997 for 4L flush.
- Weight: 22kg.

For accessories see the DELABIE "Accessibility and Accessories" catalogue (DOC 950INT).



110790

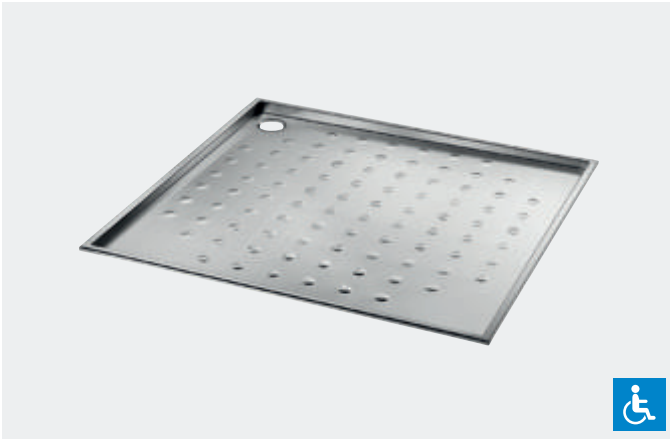
WC pan - Polished satin 304 stainless steel		
Wall-hung WC pan (700 S)		<b>110710</b>
Floor-standing WC pan (700 P)		<b>110700</b>
Wall-hung WC pan for installation in service duct (700 S TC)		<b>160710</b>

: dispatch within 4 weeks    : stock item

<b>MONOBLOCO 700 PMR WC pan</b> Polished satin 304 stainless steel - With cistern		<b>110790</b>
--	--	---------------

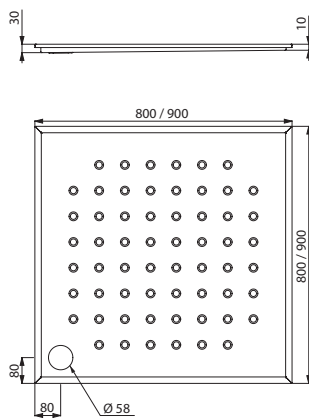
**PMR shower tray**

Recessed



- Slimline shower tray for recessed installation.
- Bacteriostatic 304 stainless steel.
- Stainless steel thickness: 1.5mm.
- Drainage slope.
- Supplied with 1½" waste.
- Non-slip surface.
- CE marked. Complies with European standard EN 14527.
- Weight: 8.5kg for the 800 × 800mm model;  
9.5kg for the 900 × 900mm model.

For shower controls and accessories see the DELABIE "Water Controls for Healthcare Facilities and Retirement Homes" (DOC 900INT) and "Accessibility and Accessories" (DOC 950INT) catalogues.



150500/150600

Recessed PMR shower tray - Polished satin 304 stainless steel		
800 × 800 - Depth 30mm		<b>150500</b>
900 × 900 - Depth 30mm		<b>150600</b>

: dispatch within 4 weeks    : stock item





# Certification Advice Reference index

SANITARY APPLIANCES  
CERTIFICATION  
**96**

---

MAINTENANCE  
ADVICE  
**96**

---

INSTALLATION  
ADVICE  
**97**

---

REFERENCE INDEX  
**98**

---

## SANITARY APPLIANCES CERTIFICATION



### What is the CE mark?

The CE mark is a mandatory European marking for all products subject to one or more European Directives. It indicates that the products comply with the essential requirements regarding safety, public health and consumer protection. It gives the products concerned the right of free movement throughout the European Union.

In order to mark its products with the CE mark, a manufacturer must carry out, or have carried out on its behalf, checks and tests which ensure that the product complies with the essential requirements set out in the relevant Directives.

### Which sanitary appliances carry the CE mark?

European Standard	Product family
EN 14688	Washbasins
EN 14296	Communal wash troughs
EN 997	WC pans and close coupled WCs with an integral trap
EN 13407	Wall-hung urinals
EN 14527	Shower trays

### How do you recognise a CE marked product?

The CE mark is normally displayed on the product or, if not, on the packaging or accompanying documents.

The manufacturer must draw up a CE declaration of conformity (declaration of performance). In the document the manufacturer states that the product complies with the "essential health and safety requirements" that apply to the product and for which the manufacturer assumes responsibility.

All the CE declarations of conformity (declarations of performance) are available online at [www.delabie.com](http://www.delabie.com).

### What does the CE mark provide for sanitary appliances?

The CE mark guarantees the performance and safety of sanitary appliances for normal use, in particular in terms of hygiene, efficiency and reliability.

The main elements tested, depending on the type of sanitary appliance, are:

- resistance to loads (150kg for washbasins, 400kg for WCs, 100kg for urinals);
- the evacuation of water with no stagnation (washbasins, shower trays);
- resistance to water temperature variations;
- resistance to chemical products and cleaning products (acetic acid, sodium hydroxide, ethanol, sodium hypochlorite, methylene blue, sodium chloride);
- resistance to scratching and abrasion;
- ease of cleaning;
- optimal pan rinsing (WCs and urinals);
- the effective evacuation of residues for WCs (tests with toilet paper and plastic balls);
- no splashing, or splashing outside the toilet bowl (WCs, urinals).

## MAINTENANCE ADVICE



Stainless steel is easy to clean and is very durable over the long term.

When stainless steel comes into contact with certain chemical substances or with inappropriate cleaning agents, there is a possible risk of staining or discolouration.

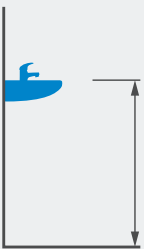
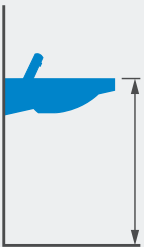
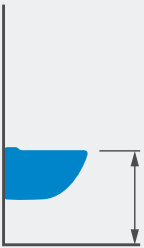
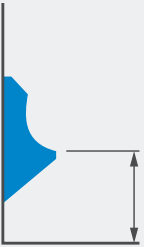
In order to guarantee the stainless steel's properties against corrosion, it is essential to always keep the surface clean.

For everyday cleaning, we recommend following the instructions below:

- use mild soapy water;
- rinse thoroughly with clean water;
- dry with a soft and clean cloth.

Never use abrasive products, scouring powder, bleaching products such as bleach or any other chlorine, acid or alcohol-based products. If the product comes into contact with any of these, rinse thoroughly with clean water.

**RECOMMENDED INSTALLATION HEIGHTS (mm)**

	Height	Standard installation height	Installation height for PRM*	Installation height for children
<b>Hand washbasins*</b>		800	850	X
<b>Washbasins</b>		850 - 900	800 - 850	550 - 700
<b>Wall-hung WC pans</b>		400 - 430	450 - 500	350 - 390
<b>Urinals</b>		650 - 710	Install urinals at different heights	400 - 500

\* **Hand washbasins:** washbasins less than 530mm in width, designed only for hand washing (source: European standard EN 14688).

\* **PRM:** People with reduced mobility = People that experience trouble moving around, either temporarily or permanently. For example: the sensory impaired and people suffering from a mental illness, people in wheelchairs, people missing limbs, people of short stature, the elderly, pregnant women, people carrying heavy luggage and people with children (including children in pushchairs).

For more information on the installation of sanitary areas for people with reduced mobility please consult the Space guide found in the DELABIE "Accessibility and Accessories" catalogue (DOC 950INT).

REF.	DESCRIPTION	P.	REF.	DESCRIPTION	P.
0011590000	New coding:100590	-	0211750015	New coding:120750	-
0011590100	Replaced by 100590	-	0213470201	New coding:120470	-
0011600000	New coding:100600	-	0213470301	New coding:120471	-
0011600100	Replaced by 100600	-	0213470401	Replaced by 120470	-
0011610000	New coding:100610	-	0213490201	New coding:120490	-
0011800001	New coding:100240	-	0213490301	New coding:120491	-
0011800002	New coding:100250	-	0214500201	Replaced by 120470	-
0011800003	New coding:100260	-	0214500301	Replaced by 120471	-
0011800005	New coding:100280	-	0214940201	Replaced by 120490	-
0011800007	New coding:100300	-	0214940301	Replaced by 120491	-
0110020001	New coding:110300	-	0215810015	New coding:120810	-
0110070001	New coding:110700	-	0215810115	Replaced by 120810	-
0110100001	New coding:110100	-	0215820008	New coding:121820	-
0110100101	Replaced by 110100	-	0215820015	New coding:120820	-
0110170002	New coding:110390	-	0215820108	Replaced by 121820	-
0110170102	Replaced by 110390	-	0215820115	Replaced by 120820	-
0110200002	Replaced by 110390	-	0216360000	New coding:160360	-
0110200102	Replaced by 110390	-	0216370000	New coding:160370	-
0112030001	New coding:110310	-	0310200001	New coding:130200	-
0112080001	New coding:110710	-	0310210001	New coding:130210	-
0112110001	New coding:110110	-	0310220001	New coding:130220	-
0112110101	Replaced by 110110	-	0311010001	New coding:130770	-
0113370019	New coding:113710	-	0311010002	New coding:130170	-
0113370020	New coding:113720	-	0311010101	Replaced by 130770	-
0113630019	New coding:113610	-	0311010102	Replaced by 130170	-
0113630020	New coding:113620	-	0311060001	New coding:138770	-
0113630021	Replaced by 113610	-	0311060101	Replaced by 138770	-
0113630022	Replaced by 113620	-	0311120000	New coding:130100	-
0116320001	New coding:160310	-	0311140000	New coding:130110	-
0116550001	New coding:160550	-	0311160001	New coding:134770	-
0210170008	New coding:121170	-	0311160002	New coding:134170	-
0210170015	New coding:120170	-	0311160101	Replaced by 134770	-
0210170108	Replaced by 121170	-	0311160102	Replaced by 134170	-
0210170115	Replaced by 120170	-	0311170000	New coding:134070	-
0210720108	Replaced by 121720	-	0311170100	Replaced by 134070	-
0210720115	Replaced by 120720	-	0311290009	Replaced by 130100	-
0211030003	New coding:180330	-	0311310009	Replaced by 130110	-
0211080006	New coding:121800	-	0316050000	New coding:167500	-
0211080015	New coding:120800	-	0317240001	New coding:130300	-
0211080106	Replaced by 121800	-	0513010000	New coding:150100	-
0211080115	Replaced by 120800	-	0513030000	New coding:150300	-
0211150008	New coding:121150	-	0513050000	New coding:150500	-
0211150015	New coding:120150	-	0513060000	New coding:150600	-
0211150108	Replaced by 121150	-	0610030003	New coding:160300	-
0211150115	Replaced by 120150	-	0610030004	New coding:160400	-
0211240015	New coding:120240	-	0610030005	New coding:160500	-
0211250015	New coding:120250	-	0610030006	New coding:160600	-
0211260015	New coding:120260	-	0610030007	New coding:160700	-
0211280015	New coding:120280	-	0610030008	New coding:160800	-
0211300015	New coding:120300	-	0616130003	New coding:166300	-
0211380008	Replaced by 121390	-	0616130004	New coding:166400	-
0211380015	Replaced by 120390	-	0616130005	New coding:166500	-
0211390008	New coding:121390	-	0616130006	New coding:166600	-
0211390015	New coding:120390	-	0616130007	New coding:166700	-
0211430008	New coding:121430	-	0616130008	New coding:166800	-
0211430015	New coding:120430	-	0710140000	New coding:180140	-
0211550008	New coding:121550	-	0710150000	New coding:180150	-
0211710008	New coding:121710	-	0710200006	New coding:182060	-
0211710015	New coding:120710	-	0710200007	New coding:182070	-
0211710108	Replaced by 121710	-	0711130000	New coding:180130	-
0211710115	Replaced by 120710	-	0711170000	New coding:180170	-
0211740008	Replaced by 121750	-	0711210006	New coding:182160	-
0211740015	Replaced by 120750	-	0711220001	New coding:182000	-
0211750008	New coding:121750	-	0711220002	New coding:182020	-

References prefixed by \* are available while stocks last. References are listed in ascending alphanumerical order.

REF.	DESCRIPTION	P.	REF.	DESCRIPTION	P.
0711220009	New coding:182100	-	120150	AQUEDUTO wall mtd basin no tap hole 304 st steel satin	20
0711220010	New coding:182200	-	120170	BAILA basin no tap hole 304 satin stainless steel w/o overflow	17
0711230001	New coding:181000	-	120172	BAILA basin no tap hole 304 st steel satin exterior pol int	17
0711230002	New coding:181020	-	120180	MINI BAILA basin no tap hole 304 satin st steel w/o overflow	17
0711230009	New coding:181100	-	120182	MINI BAILA basin no tap hole 304 st steel satin ext pol int	17
0711230010	New coding:181200	-	120240	CANAL trough L600 no tap hole right waste 304 satin st steel	28
0711240001	New coding:183000	-	120250	CANAL trough L1200 no tap hole right waste 304 satin st steel	28
0711240002	New coding:183020	-	120260	CANAL trough L1400 no tap hole right waste 304 satin st steel	28
0711240009	New coding:183100	-	120270	TRAPEZ basin no tap hole 304 satin st. steel w/o overflow	20/90
0711240010	New coding:183200	-	120280	CANAL trough L1800 no tap hole right waste 304 satin st steel	28
0810100000	New coding:180100	-	120300	CANAL trough L2400 no tap hole right waste 304 satin st steel	28
0810110000	New coding:180110	-	120310	CANAL trough L3000 no tap hole right waste 304 satin st steel	28
0811080000	New coding:180800	-	120390	DUPLO RP twin basin no tap hole 304 sat st steel w/o overflow	25
100209	2 × Bumper for CANAL wash trough	29	120400	PMR XS basin vert waste no tap hole 304 satin stainless steel	18/90
100240	Splashback L.600 H.300 304 stainless steel satin finish	29	120430	FRAJU basin no tap hole no overflow 304 st steel satin	21
100250	Splashback L.1200 H.300 304 stainless steel satin finish	29	120440	FRAJU PMR basin no tap hole no overflow 304 st steel satin	21/91
100260	Splashback L.1400 H.300 304 stainless steel satin finish	29	120470	HEMI inset basin Ø310 304 satin stainless steel w/o overflow	11
100280	Splashback L.1800 H.300 304 stainless steel satin finish	29	120471	HEMI inset basin Ø310 304 bright pol st steel w/o overflow	11
100300	Splashback L.2400 H.300 304 stainless steel satin finish	29	120490	HEMI inset basin Ø385 304 satin stainless steel w/o overflow	11
100310	Splashback L.3000 H.300 304 stainless steel satin finish	29	120491	HEMI inset basin Ø385 304 bright pol st steel w/o overflow	11
100509	Silicone membrane for DELTA waterless urinals	-	120650	QUADRA basin no tap hole 304 satin st steel without overflow	13
100569	Inlet socket union for squat WC Ø55	42/71	120652	QUADRA counter top basin no taphole 304 SS satin ext pol int	13
100589	2 × Black protective pads for toilet seats	41	120710	REDO basin no tap hole 304 satin stainless steel w/o overflow	19
100590	LISO urinal divider 304 stainless steel satin	54	120720	Replaced by 120170	-
100600	LISO XL urinal divider 304 stainless steel satin	54	120750	TRIPLO RP 3 basins no tap hole 304 satin st steel w/o overflow	25
100610	TU urinal divider 304 stainless steel satin	54	120800	FACIL basin no tap hole 304 satin stainless steel w/o overflow	19
100900	Divider for wall mtd multi urinal 304 stainless steel satin	58	120810	UNITO basin no tap hole 304 satin stainless steel w/o overflow	15
100930	Trap cover for FRAJU washbasin	21	120820	UNO basin no tap hole 304 satin stainless steel w/o overflow	15
101309	Silicone membrane for HYBRIMATIC and waterless urinals	48	121130	BOB wall mtd basin right tap hole Ø35 304 st steel sat	18
101419	*WC seat BCN black Duroplast (while stock then ref. 101429)	-	121150	AQUEDUTO wall mtd basin centre hole Ø35 304 st steel satin	20
101429	WC seat with lid BCN white Duroplast	41	121170	BAILA basin Ø35 ctr tap hole 304 satin st. steel w/o overflow	17
101619	WC seat no lid S21/SHARK black polyethylene	41	121180	MINI BAILA basin Ø35 ctr taphole 304 satin st st no overflow	17
101819	*WC seat S21/700 black Duroplast(while stk then ref. 101829)	-	121250	CANAL trough L1200 2 Ø22 tap holes right waste 304 satin st st	28
101829	WC seat with lid S21/700/SHARK white Duroplast	41	121270	TRAPEZ basin Ø35 ctr tap hole 304 satin st. steel w/o overflow	20/90
102019	*WC seat with lid PMR high gloss black MDF (while stock)	-	121390	DUPLO RP twin basin Ø35 tap hole 304 sat st steel w/o overflow	25
102029	*WC seat with lid PMR high gloss white MDF (while stock)	-	121430	FRAJU basin Ø35 ctr tap hole 304 satin st. steel w/o overflow	21
102400	Hinged stainless steel grid for ref 182400	86	121440	FRAJU PMR basin tap hole Ø35 no overflow 304 st steel satin	21/91
102419	Slim WC seat with lid BCN black Duroplast	41	121550	MINIMAL basin Ø35 ctr tap hole 304 satin st steel w/o overflow	19
102819	Slim WC seat with lid S21/700 black Duroplast	41	121710	REDO basin Ø35 ctr tap hole 304 satin st. steel w/ ooverflow	19
102839	Slim WC seat with lid S21/700 grey Duroplast	41	121720	Replaced by 121170	-
110100	BCN P floor standing WC horizontal inlet 304 st steel satin	39	121750	TRIPLO RP 3 basins Ø35 tap hole 304 sat st steel w/o overflow	25
110110	BCN S wall mtd WC horizontal inlet 304 stainless steel satin	37	121800	FACIL basin Ø35 right tap hole 304 satin st steel w/o overflow	19
110112	Wall-hung BCN S WC pan horiz inlet 304 SS satin ext pol int	37	121820	UNO basin Ø35 centre tap hole 304 satin st steel w/o overflow	15
110300	S21 P floor standing WC horizontal inlet 304 st steel satin	38	130000	HYBRIMATIC FINO urinal 304 st steel satin battery-op 6V	49
110310	S21 S wall mtd WC horizontal inlet 304 stainless steel satin	35	130008	HYBRIMATIC DELTACÉRAM ceramic urinal battery-operated 6V	53
110310PAD	S21 S wall mtd WC 304 SS satin + 2 × Black protective pads	35	130100	L wall mtd multi urinal L1200 top inlet 304 st steel satin	58
110390	MONOBLOCO S21 WC 304 stainless steel satin with cistern	40	130110	L wall mtd multi urinal L1800 top inlet 304 st steel satin	58
110700	700 P floor standing WC horizontal inlet 304 st steel satin	38/92	130120	L wall mtd multi urinal L 2400 top inlet 304 st steel satin	58
110710	700 S wall mtd WC horizontal inlet 304 stainless steel satin	35/92	130170	*RND urinal top inlet (while stock then 135110)	-
110790	MONOBLOCO 700 PMR WC 304 stainless steel satin with cistern	40/92	130200	L recessed urinal L600 back inlet 304 st steel sat	56/77
1108021601	New coding:101619	-	130210	L recessed multi urinal L1200 back inlet 304 st steel satin	56/77
1108121801	New coding:101819	-	130220	L recessed multi urinal L1800 back inlet 304 st steel satin	56/77
1108121802	New coding:101829	-	130300	LP free standing urinal L600 back inlet 304 st steel satin	57
1108141801	New coding:101419	-	130310	LP free standing urinal L 1200 rear inlet 304 st steel satin	57
1108141802	New coding:101429	-	130320	LP free standing urinal L 1800 rear inlet 304 st steel satin	57
1108201001	New coding:102019	-	130770	*RND urinal back inlet (while stock then 135710)	-
1108201002	New coding:102029	-	132300	Discontinued	-
113610	Squat WC SHA 700 1 spreader no siphon Ø1" 304 st steel satin	42/71	132303	Discontinued	-
113620	Squat WC SHA 700 1 spreader w. siphon Ø1" 304 st steel satin	42/71	132306	MINERALCAST PMR wall mounted basin L.785 Ø35 centre hole	23/91
113710	Squat WC SHA XS 1 spreader no siphon 304 st steel satin	43/71	133788	EASY-D ceramic urinal pack with TEMPOSOFT 2 inline valve	53
113720	Squat WC SHA XS 1 spreader with siphon 304 st steel satin	43/71	133888	EASY-D ceramic urinal pack with TEMPOSOFT 2 angled valve	53
120110	ALGUI counter top basin no tap hole 304 st steel satin	13	134070	*DELTA WF water free urinal (while stock then 135010)	-
120112	ALGUI counter top basin no tap hole 304 SS satin ext pol int	13	134118	DELTACÉRAM wall mtd urinal top inlet ceramic	53
120130	BOB wall mtd basin no tap hole 304 st steel satin	18	134170	DELTA wall mtd urinal top inlet 304 stainless steel satin	51

References prefixed by \* are available while stocks last. References are listed in ascending alphanumeric order.

REF.	DESCRIPTION	P.	REF.	DESCRIPTION	P.
134710	DELTA urinal top inlet vertical waste 304 st steel satin	51	182070	XL P floor std disposal sink vert inlet 304 st steel satin	85
134718	DELTACÉRAM wall mtd urinal back inlet ceramic	53	182100	Surgical scrub L.1400 2 tap holes Ø22 304 st steel satin	82
134770	DELTA wall mtd urinal back inlet 304 stainless steel satin	51	182160	XL S wall mtd disposal sink horiz inlet 304 st steel satin	85
134772	DELTA urinal rear inlet 304 st steel satin exterior pol int	51	182200	Surgical scrub L.1400 4 tap holes Ø22 c-c150 304 st st satin	82
135010	FINO WF wall mounted water free urinal 304 st steel satin	48	182310	SXS hand washbasin mechanical complete 304 satin st steel	89
135110	FINO wall mtd urinal top inlet 304 stainless steel satin	47	182320	SXS hand washbasin mechanical complete with upstand 304 satin st steel	89
135710	FINO wall mtd urinal back inlet 304 stainless steel satin	47	182400	Wall mtd sink with splashback 304 pol satin stainless steel	86
138770	*BOOMERANG urinal back inlet (while stock then 135710)	-	183000	Surgical scrub trough high upstand L.2100 304 st steel satin	82
150022D	Discontinued	-	183020	Surgical scrub trough low upstand L.2100 304 st steel satin	82
150100	700x700 shower tray depth 60mm 304 stainless steel satin	62	183100	Surgical scrub L.2100 3 tap holes Ø22 304 st steel satin	82
150300	800x800 shower tray depth 60mm 304 stainless steel satin	62	183200	Surgical scrub L.2100 6 tap holes Ø22 c-c150 304 st st satin	82
150500	PMR 800x800 shower tray depth 30mm 304 stainless steel satin	63/93	184310	SXS hand washbasin electronic complete 304 satin st steel	89
150600	PMR 900x900 shower tray depth 30mm 304 stainless steel satin	63/93	18431015	WRAS SXS hand washbasin elect. complete 304 st steel	89
1518560000	New coding:100569	-	184320	SXS hand washbasin electronic complete with upstand 304 satin st steel	89
160130	BOB TC wall mtd basin no tap hole 304 st steel satin finish	66	18432015	WRAS SXS hand washbasin elect. complete with upstand 304 st steel	89
160250	PMR XS TC wall mtd basin no tap hole 304 st steel satin finish	67	185000	HYGIENE surgical scrub high upstand L.700 304 st steel satin	81
160300	Combi KOMPACT basin WC wall mtd right 304 st steel satin	72	185020	HYGIENE surgical scrub low upstand L.700 304 st steel satin	81
160310	S21 S TC wall mtd WC horizontal inlet 304 st steel satin	70	18502015	HYGIENE surgical scrub low upstand L.800 304 st steel satin	81
160330	COMMISSARIAT SD antivandal rec washbasin st steel satin	68	185100	HYGIENE surgical scrub L700 1 taphole Ø22 304 st steel satin	81
160340	TEK TC wall mtd basin with integrated tap 304 st steel satin	68	185200	HYGIENE surg scrub L700 2 tapholes Ø22 c-c150 304 st st sat	81
160360	DUO S TC R wall mtd basin no tap hole 304 st steel satin	67	186000	HYGIENE surgical scrub high upstand L.1400 304 st st satin	81
160370	DUO S TC L wall mtd basin no tap hole 304 st steel satin	67	186020	HYGIENE surgical scrub low upstand L.1400 304 st steel satin	81
160400	Combi KOMPACT basin WC wall mtd left 304 st steel satin	72	18602015	HYGIENE surgical scrub low upstand L.1600 304 st steel satin	81
160500	Combi KOMPACT basin WC wall mtd centre 304 st steel satin	72	186100	HYGIENE surgical scrub L1400 2 tap holes Ø22 304 st st satin	81
160550	WC S21 P TC free standing inline supply 304 st steel satin	70	186200	HYGIENE surg. scrub L.1400 4 tap holes Ø22 c-c150 304 st st	81
160600	Combi KOMPACT basin WC floor std right 304 st steel satin	74	187000	HYGIENE surgical scrub high upstand L2100 304 st steel satin	81
160700	Combi KOMPACT basin WC floor std left 304 st steel satin	74	187020	HYGIENE surgical scrub low upstand L.2100 304 st steel satin	81
160710	700 S TC wall mounted WC horizontal inlet 304 st steel satin	70/92	18702015	HYGIENE surgical scrub low upstand L.2400 304 st steel satin	81
160770	DELTA TC wall mtd urinal back inlet 304 st steel satin	76	187100	HYGIENE surgical scrub L2100 3 tap holes Ø22 304 st st satin	81
160800	Combi KOMPACT basin WC floor std centre 304 st steel satin	74	187200	HYGIENE surg. scrub L.2100 6 tap holes Ø22 c-c150 304 st st	81
161340	TEK wall mtd basin with integrated tap 304 st steel satin	69	20801T2	Wall mtd elect tap with BIOCLIP disposable spout, panel fix	83
161440	TEK wall mtd basin + integ electronic tap 304 st steel satin	69	3410300003	New coding:180300	-
161600	KOMPACT HW/CW Combi basin WC free stding right 304 st st sat	74	3410300103	Replaced by 180300	-
161700	KOMPACT HW/CW Combi basin WC free stding left 304 st st sat	74	3411130000	New coding:120130	-
161800	KOMPACT HW/CW Combi basin WC free std centre 304 st st sat	74	3411130006	New coding:121130	-
164130	BOB HD wall mtd basin no tap hole 304 satin stainless steel	66	3411250015	Replaced by 120400	-
164770	DELTA HD wall mtd urinal back inlet 304 st steel satin	76	3411250115	Replaced by 120400	-
166300	Combi KOMPACT TC basin WC wall mtd right 304 st steel satin	73	3411270008	New coding:121270	-
166400	Combi KOMPACT TC basin WC wall mtd left 304 st steel satin	73	3411270015	New coding:120270	-
166500	Combi KOMPACT TC basin WC wall mtd centre 304 st steel satin	73	3411310103	Replaced by 180310	-
166600	Combi KOMPACT TC basin WC floor std right 304 st steel satin	75	3411400015	New coding:120400	-
166700	Combi KOMPACT TC basin WC floor std left 304 st steel satin	75	3411400115	Replaced by 120400	-
166800	Combi KOMPACT TC basin WC floor std centre 304 st steel sat	75	3416250000	New coding:160250	-
167500	*ACE TC urinal 304 st steel satin(while stk then ref 160770)	-	3416330000	New coding:160130	-
180100	ILHA free standing water fountain H915 304 st steel satin	30/87	3416340000	New coding:160340	-
180110	ILHA JR free std water fountain H800 304 st steel satin	30/87	374001	Hyperco liquid soap dispenser 0.9L white ABS	89
180130	Hospital plaster sink wall mounted 304 stainless steel satin	83	409100	Discontinued	-
180140	Floor standing combi basin sink 304 stainless steel satin	84	409140	Discontinued	-
180150	Floor standing cleaners sink 304 stainless steel satin	84	450120D	Discontinued	-
180170	Wall mounted cleaners sink 304 stainless steel satin	86	453140	MINERALCAST wall mtd basin L1400 3 places Ø35 centre hole	27
180300	SXL hand wash free standing right hole Ø22 304 st steel sat	88	454001A	MINERALCAST mounting bracket H700	27
180310	Replaced by 182310	-	454010	MINERALCAST mounting bracket H850	27
180330	GENOU wall mtd hand wash right tap hole Ø22 304 st steel sat	88	454120	MINERALCAST wall mtd basin L1200 2 places no tap hole	27
180800	SD wall mounted water fountain 304 stainless steel satin	30/87	454122	MINERALCAST wall mtd basin L1200 2 places Ø35 centre hole	27
181000	Surgical scrub trough high upstand L.700 304 st steel satin	82	454180	MINERALCAST wall mtd basin L1800 3 places no tap hole	27
181020	Surgical scrub trough low upstand L.700 304 st steel satin	82	454182	MINERALCAST wall mtd basin L1800 3 places Ø35 centre hole	27
181100	Surgical scrub trough L700 1 tap hole Ø22 304 st steel satin	82	757118	Neck tube F1/2" for DELABIE DELTACERAM urinal	53
181200	Surgical scrub L.700 2 tap holes Ø22 c-c 150 304 st st satin	82	757135	Neck tube F1/2" TEMPOSTOP TEMPOSOFT 2 for FINO urinal	47
181310	SXS hand washbasin w/o tap 304 satin st steel	89	757160	Neck tube F1/2" for DELABIE DELTA urinal before 04/2019	-
181320	SXS hand washbasin w/o tap with upstand 304 satin st steel	89	757162	Neck tube F1/2" for DELABIE DELTA urinal after 04/2019	51
182000	Surgical scrub trough high upstand L.1400 304 st steel satin	82	827032	Inlet socket union for squat WC Ø28/32	42/71
182020	Surgical scrub trough low upstand L.1400 304 st steel satin	82	H9610S	SECURITHERM therm seq mixer disp BIOCLIP spout offset std	83
182060	XL P floor std disposal sink horiz inlet 304 st steel satin	85			

References prefixed by \* are available while stocks last. References are listed in ascending alphanumeric order.

**The general terms and conditions are valid for all customers.**

**ORDERS AND QUOTATIONS:**

These will be processed in order of receipt. We do not accept open orders or orders for call-off. All orders sent imply acceptance of our general terms and conditions of sale and customers waive any claims that may arise from clauses in their own documentation which may differ. The customer agrees to these terms from the moment that we receive their order, which cannot be cancelled. Orders are accepted without obligation to deliver the order in full in one delivery. Our commercial representatives are not authorised to agree additional terms verbally, or to provide verbal guarantees beyond those provided in the written contract. In the event of default or delayed payment, the Company will be entitled to suspend deliveries or cancel existing orders without any claim for damages from the customer. In the event of a change in circumstances of the buyer, we reserve the right to cancel existing orders or to demand payment guarantees. Our quotes do not amount to specifications; specifiers and professional installers are solely responsible for the choice of products according to their intended use, current regulations and recommended guidelines.

**PRICE:**

Deliveries are invoiced according to the conditions in place at the date of despatch. Prices are given without guarantee and they may be changed without notice subject to fluctuations in costs, VAT or other taxes, according to the prevailing economic conditions. Price increases will be announced one month prior to their application, and they apply to quotes and orders in hand.

**PAYMENTS:**

Terms of payments are confirmed when an account is opened, and are dependent on the terms of our credit insurance, and according to each country. We do not give discount for early payment.

In accordance with Article L441-6 of the Commercial Code, any delay in payment will give rise to the following from the first day of delay, regardless of their status with the supplier:

- An interest rate for delayed payment will be applied, equal to the European Central Bank refinancing rate plus 10% (French Law of Modernization of the Economy - LME - No. 2008-776 of 4th August 2008);
- A one-off payment of 40 Euros will apply to cover expenses (European Directive 2011/7 of 16th February 2011, Law 2012-387 of 22nd March 2012, and Decree 2012-1115 of 2nd October, 2012);
- When the recovery costs exceed the amount of the one-off payment, additional compensation will apply where justified.

In the case of late payment, a one-off payment may be required, replacing existing conditions. We will not accept any set off, only our assets have a legal value.

**DELIVERY TIMES:**

Despatch dates are indicative only and we shall not be liable for any delay or failure in carrying out our obligations where the delay or failure to deliver is caused by risks of manufacturing or where the cause is beyond our control. Delivery delay will not give rise to compensation payment or goods rejection.

**SHIPPING:**

Orders are sent to our distributors. We do not deliver to site. The buyer assumes responsibility for carriage and packing costs unless otherwise stated in the Incoterms on the invoice accompanying the goods. The goods are always forwarded at the buyer's own risk, whatever the method of transport, even if the carriage is free and special conditions have been granted. The carrier is solely responsible for their delivery, and in the event of delay, missing items, damage or other dispute, the customer must indicate this via the delivery driver's paperwork (either electronically or in hard copy) AND follow up with written notification sent by recorded delivery within 24 hours. A copy of this letter must be addressed to us.

**CLAIMS:**

No claim will be allowed where the delay in reporting exceeds 8 days following receipt of the goods. The whole of the delivery cannot be rejected because of partial damages and shortages.

**PROPERTY IN GOODS:**

Notwithstanding any agreed terms of sale, the goods shall remain the property of the seller until payment is made in full. The failure to meet a payment deadline may result in the reclamation of these goods.

The buyer assumes the risks of loss or damage, regardless of the means of delivery, as described in 'DELIVERY TIMES' and 'SHIPPING' above, as well as liability for the damage they might cause.

**WARRANTY AND RESPONSIBILITY:**

Our products are warrantied against any manufacturing defect for a period of 10 years, including electronic controls, excluding other electrical accessories (e.g. hand dryers, etc.) which have a 3-year warranty from the invoice date. This does not apply to products with an expiry date. This warranty is limited to replacement or repair of defective components as determined by our workshops in France but excludes the costs of spoilage, handling and carriage or compensation whatever they are. We are not responsible for handling charges and the cost of returning products to our workshops.

Disasters or major water damage as a result of manufacturing defects are covered by our product and/or public liability insurance.

Our warranty and responsibility does not include the following:

- installation that does not comply with the technical specification or current recommended guidelines;
- worn parts;
- non-compliance with installation, user and maintenance guides;
- other factors independent of our products' quality, for example: detergents or abrasive cleaning products, the action of hard water, foreign bodies (e.g. gravel, sand, iron filings, scale, etc.), chemical and electrolytic phenomenon;
- lack of supervision, poor storage or poor maintenance;
- product modifications or actions by the customer, or a third party, without our authorisation using non-DELABIE components and/or consumable items.
- products past their expiry date.

The water-tightness of connections, joints and the product housing is the responsibility of the professional responsible for installation, and must be guaranteed by them. Warranty excludes joints, valves, washers and rubber seals. However they would be supplied if the warranty application requires them. Any finishes other than chrome or nickel are also excluded from the warranty. In the event that the product has been discontinued or manufacturing methods have changed and replacements are not available, similar alternative products will be offered. Replacement under warranty will not extend the duration of the original warranty.

Legal warranty of latent defects applies in any event.

**SPARE PARTS:**

Spare parts and mechanisms that are essential to ensure the correct operation of our products will be held in stock for the duration of the guarantee. They are listed at the back of our catalogues.

**RETURNS:**

Goods may not be returned to us for credit without our prior written approval obtained by the buyer from the Company and they are received in a good state (determined by our goods inwards department). All transportation costs for returned goods must be paid by the buyer. Goods must be returned to our factory\* with good protective packaging. Deliveries less than a month old will be refunded at the invoiced price. For deliveries older than one month, a deduction will be made for checking, handling and administration costs. A repair and re-stocking fee will apply where appropriate.

Product returns are not permitted in the following circumstances: discontinued products, specially manufactured products, technical or aesthetic evolution of the product since the date of purchase, scratched or damaged products, products purchased more than one year previously, products with an expiry date. If sent to DELABIE, those products outside the scope of returns will be immediately destroyed/recycled, and will not be returned to the customer.

The schedule of standard deductions is as follows:

- return less than 1 month: refund at invoiced price
- return between 1 and 3 months: deduction of 15%
- return between 3 months and 1 year: deduction of 30%
- return after 1 year: no refund possible.
- return without prior agreement: additional deduction of 5% of the value of the goods with a minimum value of €50 excl. VAT.

\* DELABIE S.C.S.  
18, rue du Maréchal Foch  
80130 Friville Escarbotin – FRANCE

**CLEANING - MAINTENANCE:**

Clean with slightly soapy water only, using a soft cloth or sponge, rinse and dry thoroughly. Do not use abrasive or chlorine-based products (with a hydrochloric acid base), or dyes.

**PHOTOGRAPHS AND DRAWINGS:**

All photos, drawings or illustrations are for illustrative purposes only, without contractual obligation, and may be subject to change without notice.

We reserve the right to modify designs and dimensions without notice and without recourse. This applies to all references, dimensions, information contained in various documents, catalogues, installation guides, price lists and websites, which can be modified or discontinued at any time without notice.

**INTELLECTUAL PROPERTY AND USE OF CONTENT:**

The content (including but not limited to the information, text, graphics, data, images, photos, visuals, videos and soundtrack, and the format of all these elements and our catalogues, websites, etc.) are protected under copyright and/or other intellectual property. The contents are the sole property of their respective editors. Any copying, reproduction, use, adaptation, alteration, modification, translation, dissemination, complete or partial, of content, whether they belong to DELABIE or a third party which has granted the rights to DELABIE, by any means whatsoever, is illegal except for the limiting rights that are granted below, and/or private copying for the exclusive use of the copier. The content presented in our communication and business tools may be subject to change without notice and are provided without warranty of any kind, express or implied, and cannot give rise to any right to compensation. Protected content may be specifically identified by the following copyright notices: © or "All rights reserved".

The names and logos appearing in our catalogues and websites are registered trademarks. These distinctive marks are the exclusive property of DELABIE or third parties who have granted the rights to DELABIE. Any use, complete or partial reproduction, or imitation of these marks is prohibited without prior express consent of DELABIE.

Alteration and modification of the contents or their use for any purpose other than that authorised, constitute an infringement of DELABIE's, or a third party's, property rights. With the following limitations, DELABIE grants you the right to download and distribute the content:

- where the download function exists
- for non-commercial purposes
- in good faith
- for maintaining the proprietary notices intact, and for the publication or posting of existing content online, if such information is stated. This right should in no way be interpreted as a trademark or copyright license for the aforementioned content.

**PERSONAL DATA PROTECTION:**

In line with the General Data Protection Regulation (GDPR), DELABIE is doing everything necessary to limit to a bare minimum the collection of personal data, and its conservation and ensure its protection.

DELABIE only uses this data for its own use for purposes of information and commercialisation of its products. It is not, under any circumstances, given to third parties.

The right of access, rectification, removal and opposition to the processing in addition to the limitation and transferability of your data is possible on request to our Data Protection Officer (DPO) at DELABIE via email (dpo@delabie.fr) or recorded delivery with a photocopy of a photo ID to the following address: DELABIE, 18 rue du Maréchal Foch, 80130 FRIVILLE, France.

**EXCLUSIVE TERRITORIES:**

In most countries throughout the world, our company has entered into exclusive agreements with organisations to import and distribute our products. Within this framework, our clients cannot sell our products outside their national borders without an express prior agreement on our part.

**JURISDICTION:**

Acceptance of an order delivered from France settles the contract under the French law. All disputes arising from the present contract will be settled definitively by the Court located in the area of our domicile, even in the event of multiple defendants, regardless of the delivery location or stipulated payment. All clauses to the contrary will be considered null by the mere fact of having dealt with our company.

**AVAILABLE CATALOGUES:**

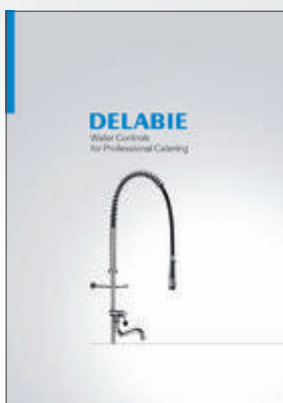
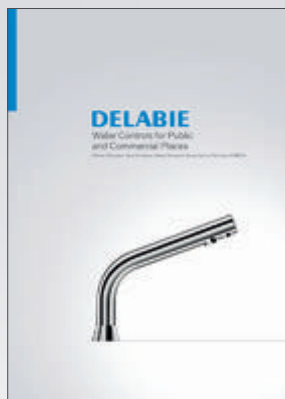
**DOC 609INT:** Water Controls for Public and Commercial Places

**DOC 950INT:** Accessibility and Independence - Hygienic Accessories for Public and Commercial Places

**DOC 900INT:** Water Controls for Healthcare Facilities and Retirement Homes

**DOC 750INT:** Stainless Steel Sanitary Ware

**DOC 200INT:** Water Controls for Professional Catering



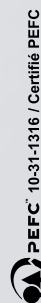
**DELABIE**

18, rue du Maréchal Foch  
80130 FRIVILLE - FRANCE

DELABIE S.C.S., share capital 1.000.000 € - RCS 615 680 089 Amiens



3 456330 159258



DOC 750INT - 06/2019